

R to I Converter

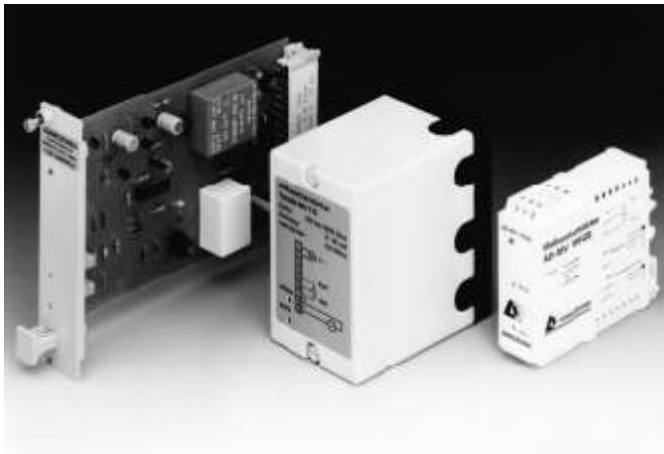
AD-MV 110 GS
AD-MV 110 GB
AD-MV 110 EV

Description

The input of the AD-MV 110 R/I is a potentiometer with standard range of 100-5000 Ohm. The analogous output is proportional to the position of the potentiometer and is unaffected by the connected load up to the maximum resistance: A precision equalising potentiometer is included in the converter for zero and maximum deflection.

Application

Continual display for altimeter; manometer-, level-, or valve-



positions.

Specification

Power supply:

Power consumption:

Input:

Adjustable tolerance:

Output (*):

Output load:

Tolerance:

Ambient temperature:

Protective system:

EMC-compatible:

GB/EV: 230 VAC or 20-30 VDC (*)

GS: ALLPOWER 20-253V AC/DC

approx. 5 VA or 2 W

Potentiometer

0-100 Ohm to 0-5000 Ohm, adjustable

Potentiometer / Line resistance

100 Ohm 3x30 Ohm

500 Ohm 3x300 Ohm

1000 Ohm 3x500 Ohm

5000 Ohm 3x2000 Ohm

current or voltage, impressed

e.g. 0-20 mA; 4-20 mA, 0-10 V

max. 500 Ohm at 20 mA

min. 500 Ohm at 10 V

< 0,5 %

0 to +50 °C

Power pack: against over-voltage;

over-current; over-temperature

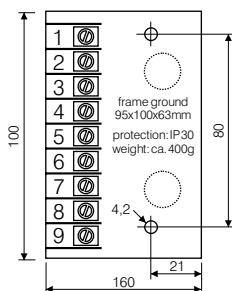
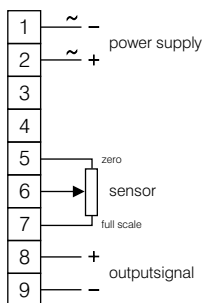
Input: transient protection

EN 50081-2, EN 50082-2

CE-conformity

(*) = Values must be advised by order

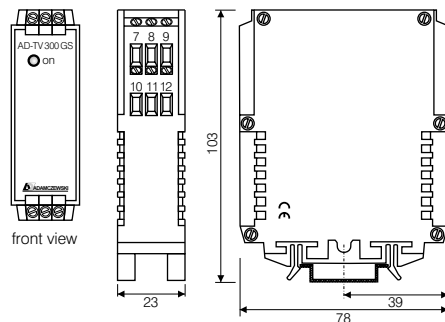
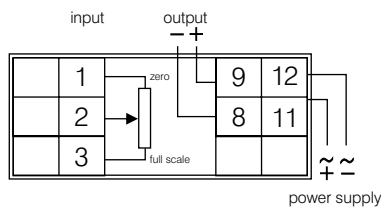
Connections and dimensions: AD-MV 110 GB



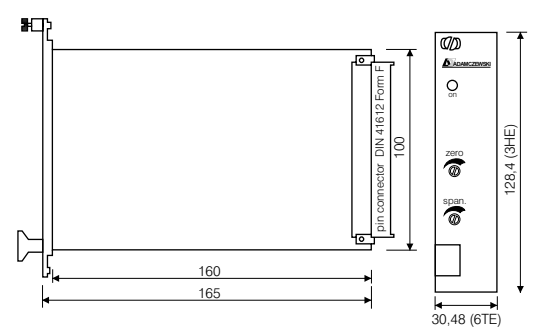
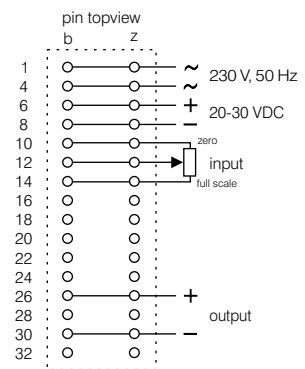
Connections and dimensions: AD-MV 110 GS

weight max. 200 g
 protection: IP 20
 manner of fastening:
 attachment rail: NS35/7,5

connection data:
 fine-wire: 2,5 mm²
 single-wire: 4 mm²
 max. voltage: 250 V~



Connections and dimensions: AD-MV 110 EV



Printed 04/2008. We reserve the right for technical changes



ADAMCZEWSKI
 Elektronische Messtechnik GmbH

Felix-Wankel-Straße 13 · 74374 Zaberfeld
 Telefon+49(0)7046-875 · Telefax+49(0)7046-7678
 vertrieb@ad-messtechnik.de · www.adamczewski.com