

Pt100-Converter (galvanically insulated)

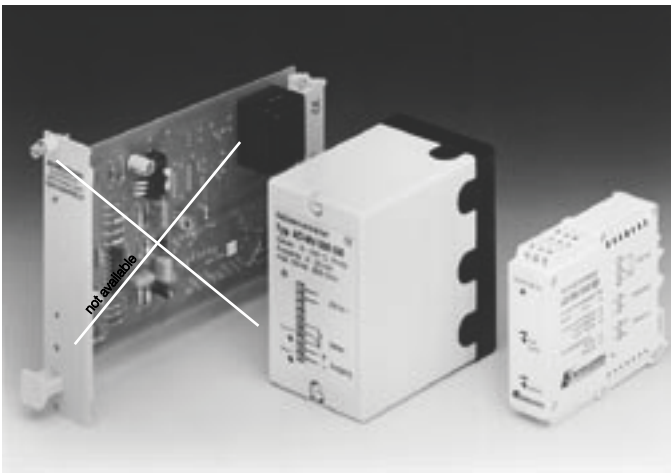
AD-MV 500 GS
AD-MV 500 GB

Description:

The AD-MV 500 converts the output signal of a resistor thermometer (Pt100 or similar) into a proportional output signal (0...20mA; 0...10V or others) The output linearity can be chosen between resistance or temperature. If the 3 line application is used, then cable resistance up to 100 Ohm are compensated. If only 2 lines are used then a zero and full-scale adjustment is necessary. The analog output is galvanical separated to the power-supply and optionally to the input signal too.

Application:

Temperature and temperature-difference measurement with resistor thermometers like Pt100 or others. Analog display of temperature.

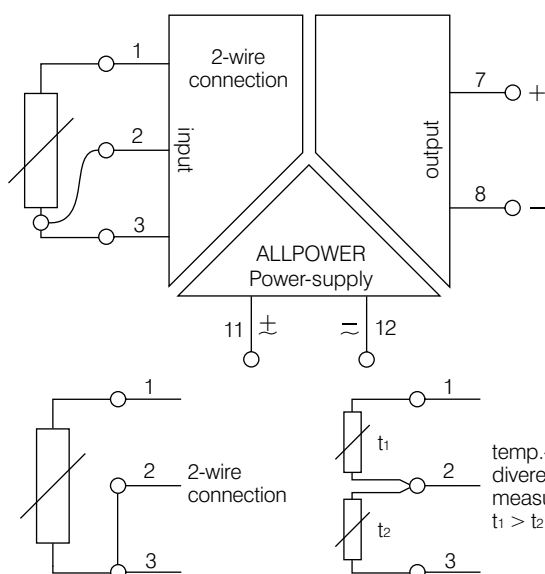


Technical data:

construction type:	1 channel switchboard housings
power supply:	Allpower 20-253V AC/DC
power consumption:	ca. 2VA or 2W
input:	resistor thermometer Pt100 (DIN IEC 751) or other resistors in 2-wire or 3-wire system current or voltage e.g. 0...20 mA; 4...20 mA; 0...10 V galvanically isolated resistive or temperature linear
output:	max 800 Ohm with current max 500 Ohm with voltage
max output load:	< 0,3%
linearity error:	< 100 ppm/K
influence of temperature:	0...50°C
ambient temperature:	signal/power supply 4kV AC signal/power supply 2kV DC
insulation test voltage:	input/output (optional isolated 2kV RMS)
protective system:	power pack: against over voltage overcorrect, over temperature input/output: against over voltage

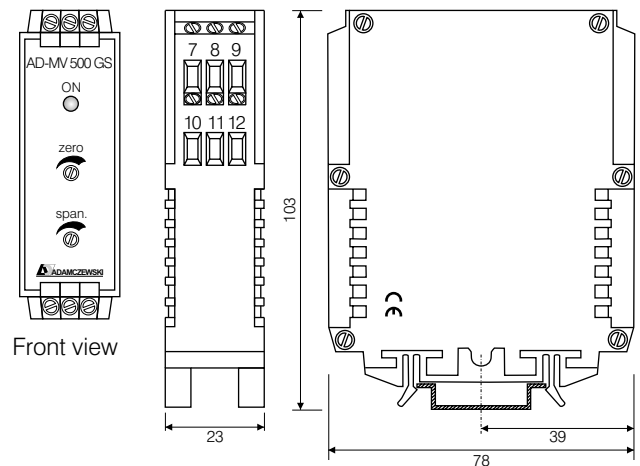
(*) values must be defined by order

Connections and dimensions: AD-MV 500 GS



weight 120 g
protection: IP 20
manner of fastening:
attachment rail: NS35/7,5

connection data:
fine-wire: 2,5 mm²
single-wire: 4 mm²
max. voltage: 250 V~



Printed 09/2011. We reserve the right for technical changes



ADAMCZEWSKI
Elektronische Messtechnik GmbH

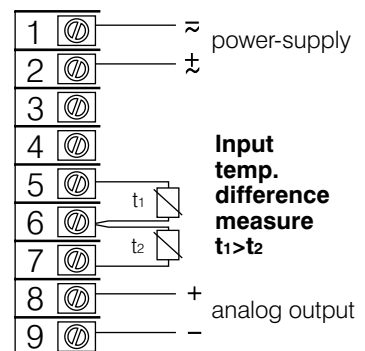
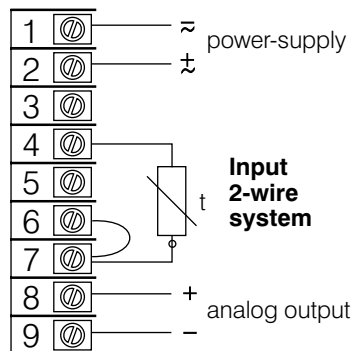
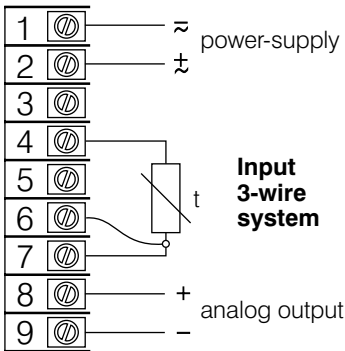
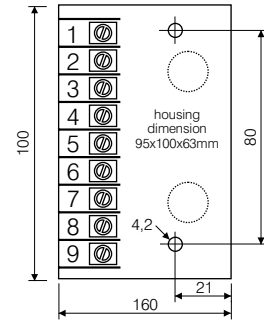
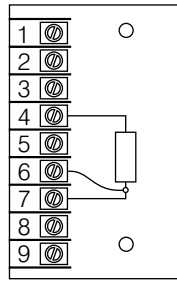
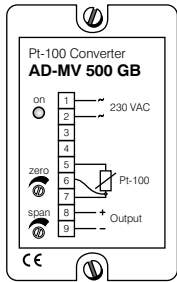
Felix-Wankel-Str. 13
Tel. +49 (0)7046-875
vertrieb@ad-messtechnik.de

74374 Zaberfeld
Fax +49 (0)7046-7678
www.adamczewski.com

Connections and dimensions: AD-MV 500 GB

weight 260 g
 protection: IP 30
 manner of fastening:
 attachment rail: NS35/7,5

connection data:
 fine-wire: 2,5 mm²
 single-wire: 4 mm²
 max. voltage: 250 V~



ADAMCZEWSKI
 Elektronische Messtechnik GmbH

Felix-Wankel-Str. 13
 Tel. +49 (0)7046-875
 vertrieb@ad-messtechnik.de

74374 Zaberfeld
 Fax +49 (0)7046-7678
 www.adamczewski.com