

Pt-100 Converter

for resistance thermometer in a 4-wire system

AD-MV 504 GS

Description

The AD-MV 504 GS converts the output signal of a resistor thermometer (Pt100 or similar) from a 4-wire system into a proportional output signal (0...20mA; 0...10V or others) The output linearity can be chosen between resistance linear or temperature linear.

The analog output is galvanical separated to the power-supply and optionally to the input signal too.

Application:

Temperature and temperature-difference measurement with resistor thermometers like Pt100 or others. Analog display of temperature.

Specification

construction type:	1 channel switchboard housings
power supply:	GS: Allpower 20-253V AC/DC
power consumption:	ca. 2VA or 2W
input:	resistor thermometer Pt100 (DIN IEC 751) or other resistors in 4-wire system
output:	current or voltage e.g. 0...20 mA; 4...20 mA; 0...10 V galvanically isolated resistive or temperature linear
max output load:	max 400 Ohm with current max 500 Ohm with voltage
linearity error:	< 0,3%
influence of temperature:	< 100 ppm/K
insulation test voltage:	input/output 2 kV rms signal/power supply 4 kV rms
protective system:	power pack: against over voltage over correct and over temperature input/output: against over voltage
ambient temperature:	0...50°C

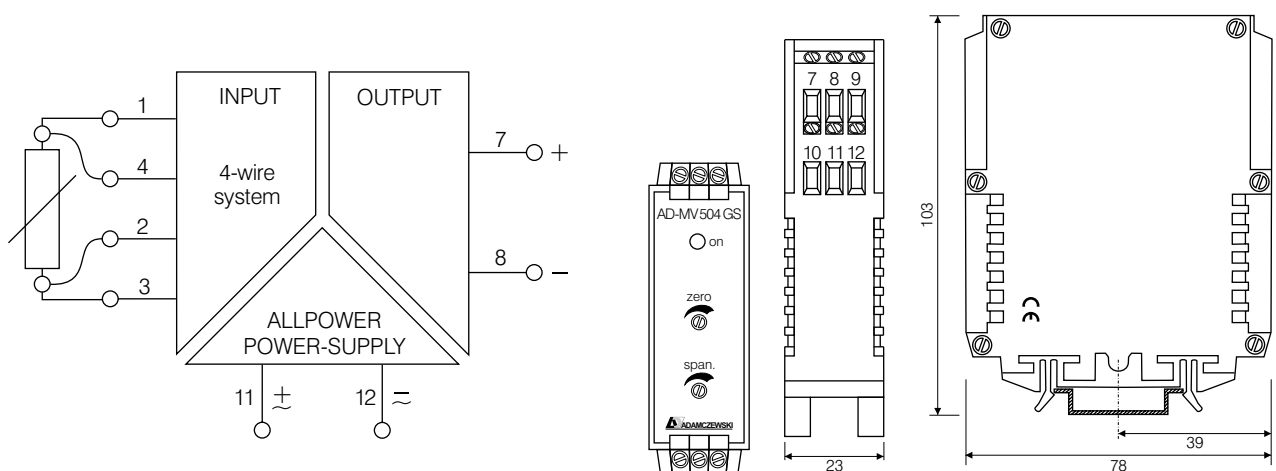
(*) values must be defined by order



Connections and dimensions: AD-MV 504 GS

weight 120 g
protection: IP 20
manner of fastening:
attachment rail: NS35/7,5

connection data:
fine-wire: 2,5 mm²
single-wire: 4 mm²
max. voltage: 250 V~



Printed 03/1994. We reserve the right for technical changes



ADAMCZEWSKI
Elektronische Messtechnik GmbH

Felix-Wankel-Straße 13 · 74374 Zaberfeld
Telefon+49 (0)7046-875 · Telefax+49 (0)7046-7678
vertrieb@ad-messtechnik.de · www.adamczewski.com