

# Supply Isolation Amplifier

## Frequency Shift Keying (FSK) qualified

AD-STH 22 GL

### Description

The supply separator amplifier AD-STH 22 GL serves in first place the galvanic separation and amplification of transmitter signals (4-20 mA). The 2- or 3-wire transmitter is supplied direct via a galvanically separated and limited supply voltage. It can also be used as purely a burden amplifier (0/4-20 mA). Input, output and the supply voltage are separated galvanically from each other. The output signal is independent from the connected burden up to a maximum value. The AD-STH 22 GL is FSK-able (Frequency Shift Keying) and therefore, for instance, also suitable for the well-known HART-protocol. The electronic wide-range power pack ALLPOWER avoids strong heat development, the units can be mounted directly beside each other. Cross poling is excluded. Due to the narrow construction, very high packing density is achieved.



### Application

Supply and measuring value recording of 2- or 3-wire transmitter such as pressure transmitter, temperature transmitter and others with simultaneous amplification and galvanic separation. The unit can also be used as a pure burden amplifier. All types of operating are FSK-able (i.e. HART protocol)

### Specifications

construction type  
power supply

power consumption  
input

transmitter supply

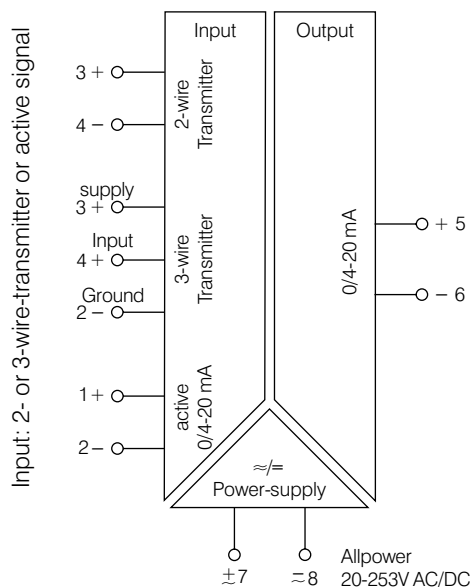
output  
output-load  
linearity  
influence of temperature  
insulation test voltage

protective systems

CE-conformity:

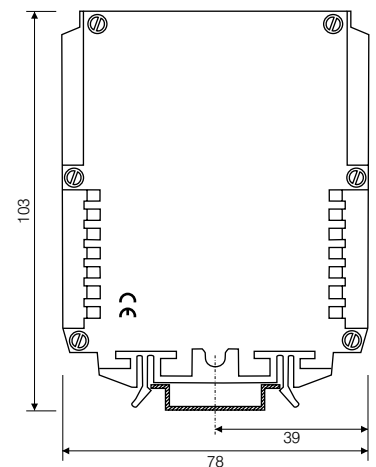
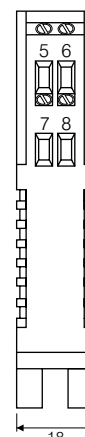
1-channel switchboard housing  
ALLPOWER - power supply unit  
20...253V AC/DC  
approx. 3,5 VA resp. 2W  
2- or 3-wire transmitter  
or active signal 0/4...20mA  
no-load voltage: max. 30V  
with 20mA: approx. 20V  
internal limited max. 30mA  
0/4...20 mA, input:output 1:1  
max. 400 Ohm  
< 0,3%  
< 0,1‰/K  
input/output 3,75 kV RMS  
signal/power supply 4 kV RMS  
input/output against over-voltage,  
confusing the poles, over-current  
power rack: against over-voltage,  
over-current, over-temperature  
EN 50081-2, EN 50082-2

### Connections and dimensions: AD-STH 22 GL



weight 120 g  
protection: IP 20  
manner of fastening:  
attachment rail: NS35/7,5; NS 32

connection data:  
fine-wire: 2,5 mm<sup>2</sup>  
single-wire: 4 mm<sup>2</sup>  
max. voltage: 250 V~



Printed 08/2006. We reserve the right for technical changes



**ADAMCZEWSKI**  
Elektronische Messtechnik GmbH

Felix-Wankel-Straße 13 · 74374 Zaberfeld  
Telefon+49 (0)7046-875 · Telefax+49 (0)7046-7678  
vertrieb@ad-messtechnik.de · www.adamczewski.com