

Supply Isolation Amplifier

AD-STV 211 GS
AD-STV 211-212 EV

Description

The isolator amplifier of type range AD-STV 210 serves as galvanic isolation and amplification of transmitter signals (4-20mA). The 2-wire transmitter is supplied via a galvanically isolated and limited supply voltage of 24V DC. The signal is registered, galvanically isolated and amplified.

Input/output and the supply voltage as well as the individual channels underneath each other are galvanically isolated from each other. The output signal 4-20mA is independent from the connected load up to maximum value of 500 Ohm.

Application

Supply and measuring value registry of 2-wire transmitters such as pressure transmitter, temperature transmitter and others at simultaneous amplification an galvanic isolation.



Specification

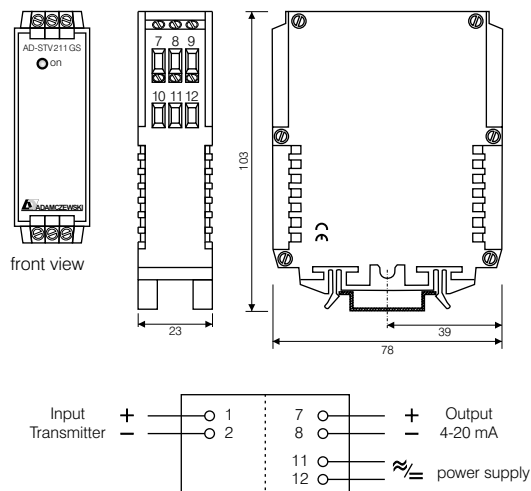
Construction type:	AD-STV 211 GS
1-channel switchboard housing	AD-STV 211 EV
1-channel 19" Euro-board format 100x160mm	AD-STV 212 EV
2-channel 19" Euro-board format 100x160mm	
Power supply:	GS: broad-range power supply 20-253 VDC / 50-253 VAC (50-60Hz)
	EV: 230V AC +/- 10% 50-60Hz (*) alternative 20-30V DC
Power consumption:	ca. 2,5VA resp. 4W
Input:	2-wire transmitter (4-20mA)
Transmitter supply:	24V DC
Output:	4-20mA
Output-load:	max. 500 Ohm
Linearity:	< 0,2%
Effect of temperature:	< 15 ppm/K
Max. useable frequency:	500Hz with 500 Ohm load
Insulation voltage:	input/output: > 500V RMS signal/power supply: > 4 kV RMS
Protective systems:	input/output: against over-voltage, over-current, confusing the poles power-rack: against over-voltage, over-current, over-temperature
Ambient temperature:	0 - 50°C

(*) - Values must be specified by order

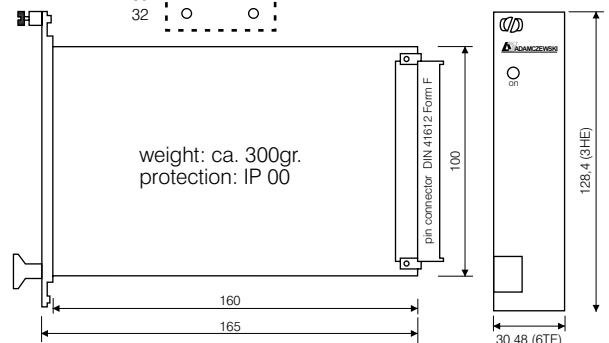
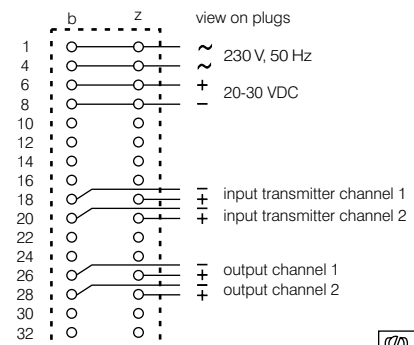
Connections and dimensions: AD-STV 211 GS

weight: ca. 200 g
protection: IP 20
manner of fastening:
DIN rail: NS35/7,5

connection data:
fine-wire: 2,5 mm²
single-wire: 4,0 mm²
max. voltage: 250 V~



Connections and dimensions: AD-STV 211 EV



Printed 01/2009. We reserve the right for technical changes



ADAMCZEWSKI
Elektronische Messtechnik GmbH

Felix-Wankel-Str. 13
Tel. +49 (0)7046-875
vertrieb@ad-messtechnik.de

74374 Zaberfeld
Fax +49 (0)7046-7678
www.adamczewski.com