

Voltage Supply

AD-SV 100 GB

Description

The direct current supply AD-SV 100 GB is designed at the input for 230V AC and supplies a stable direct current of 24V DC at the output. Through the use of a high quality toroidal core safety transformer a high degree of effectiveness and low self-heating is achieved.

Application

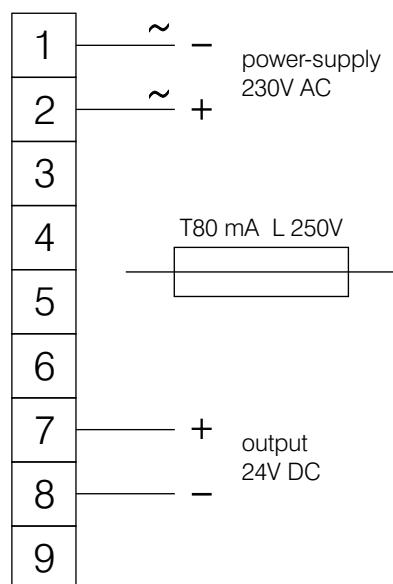
For use in industrial power supplies for supplying periphery apparatus such as measuring converters, isolator amplifiers and others. For supplying 2-wire transmitters.



Specification

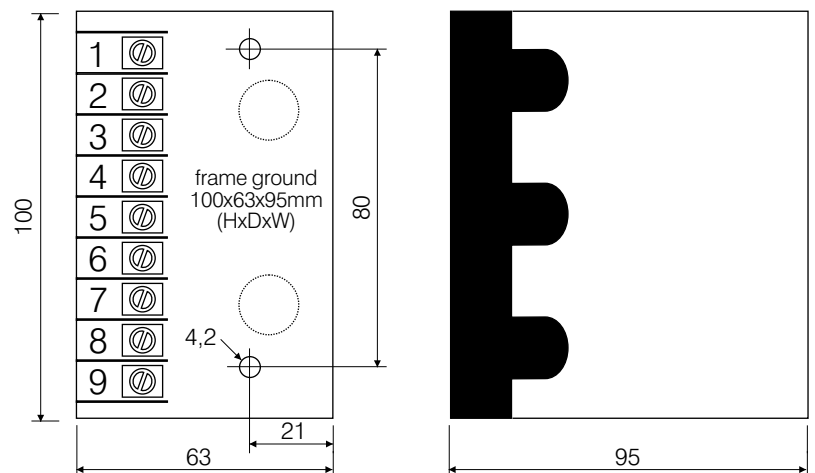
power supply:	230V +/- 10%, 50-60 Hz
power consumption:	max. 15 VA
output voltage:	24 V DC
voltage tolerance:	max. +/- 5%
nominal output:	8 W
nominal current:	350 mA
output overload:	max. + 50%
weight	max. 500 gr.
connection data	fine-wire 2,5 mm ² single 4,0 mm ² max. voltage 250 VAC
manner of fastening	or mounting plate and DIN rail 35mm (EN50022)
ambient temperature:	0°C to +50°C
protection:	primary and secondary thermic overload protection overvoltage protection primary over current protection primary (microfuse T80mA)
further characteristics:	safety transformer (VDE 0550) 4 kV testing pressure prim/sec.

Connections and dimensions: AD-SV 100 GB



weight: max. 500 g
protection: IP 20
manner of fastening:
for mounting plate and
DIN rail 35mm (EN50022)

connection data:
fine-wire: 2,5 mm²
single-wire: 4,0 mm²
max. voltage: 250 V~



Printed 11/1998. We reserve the right for technical changes



ADAMCZEWSKI
Elektronische Messtechnik GmbH

Felix-Wankel-Str. 13
Tel. +49 (0)7046-875
vertrieb@ad-messtechnik.de

74374 Zaberfeld
Fax +49 (0)7046-7678
www.adamczewski.com