

Isolation Amplifier

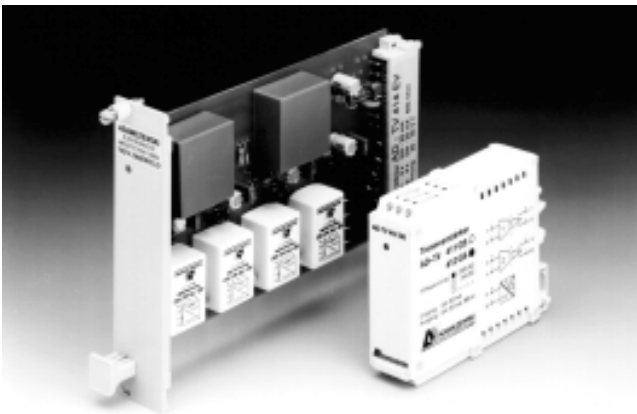
AD-TV 411- 414 EV
AD-TV 411- 412 GS

Description

The isolation amplifier of the series AD-TV 410 is being used for the galvanical isolation and amplification of impressed currents of 0-20 mA or 4-20 mA. The output current is unaffected from the connected load. In- and output and supply current are separated galvanically. Having multi-channel types, all channels are isolated from each other galvanically.

Application

Amplification of current signals.
Economical active galvanical isolation.



Technical Data

Power supply: 230 V +/- 10% 50-60 Hz
alternatively 20-30 V DC
others on request

Power consumption: approx. 5 VA or 4 W

Input: 0-20 mA or 4-20 mA

Input voltage drop: approx. 0,8 V

Output: = Input 1:1

max. 800 Ohm

Load influence: < 0,02% / 100 Ohm

Exactness: better 0,2%

Temperature influence: < 15 ppm / K

max. usable frequency: 500 Hz at 500 Ohm load

Reaction time: approx. 0,2 ms

Input/output 10-90 %

Insulation voltage: Input/output >500 V RMS

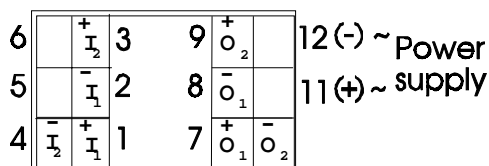
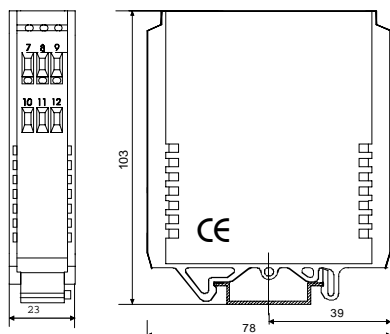
Protective system: Signal/supply > 2 kV RMS

Input: against overvoltage, confusing the poles

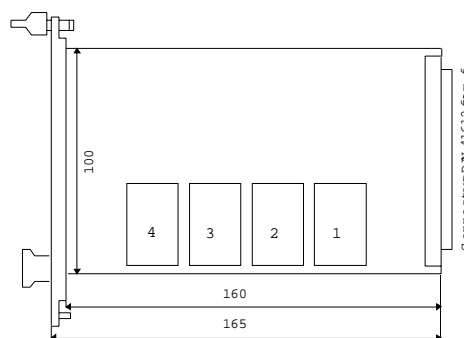
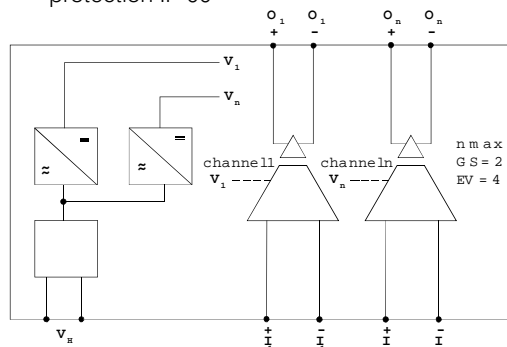
power pack: against overcurrent, overvoltage, overtemperature

Ambient temperature: -10 to + 50 C

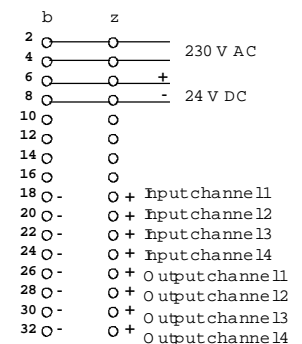
Connections and dimensions:
AD-TV 411-412 GS (1-2 channels)
weight approx. 150 g
protection IP 20
Manner of fastening:
Attachment rail NS 35/7,5 - NS 32
connection data:
fine-wire 2,5 mm / single-wire 4 mm
Voltage 250 V AC



Connections and dimensions :
AD-TV 411-414 EV
weight max. 320 g
protection IP 00



view on plugs



Printed 08/95. We reserve the right for technical changes