

Surge Protection

AD-BS 2 ST

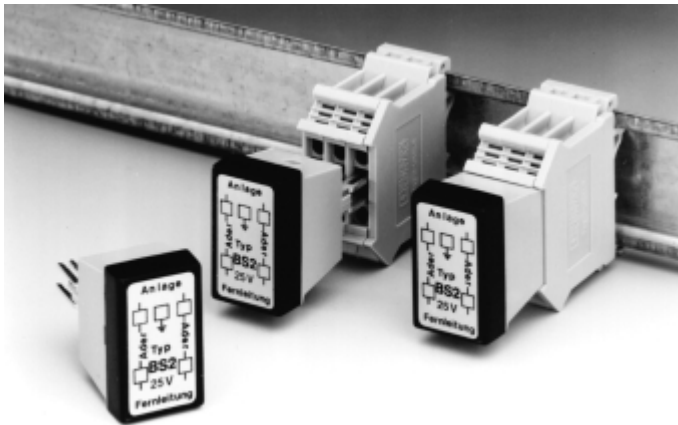
Description

Protection of 2 independent low voltage instrument leads against abrupt and energy-rich surge peaks, as they can occur for instance due to lightning strikes, switching procedures in the power supply and connected appliances, through inductive influences or static charge.

Application

Electrical: balanced bipolar combination of high duty protector elements and quick reaction fine protector elements, ohmic line resistors.

Mechanical: the surge protection consist of a three polar line up terminal (system Phoenix URELG3) and the plug-in type, two-wire protection element.



Special characteristics

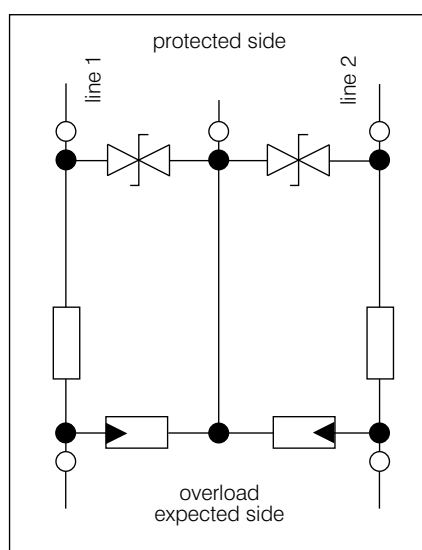
- using the basic terminal in place of the distribution board line up terminal
- the basic terminal fits onto the symmetric and asymmetric standard instrument bus bar (DIN 46277/1 and DIN 46237/3)
- simple exchange of protection elements, even by untrained personnel
- simple interruption of the connection to long distance line for measuring and test purposes
- no taking into account of the polarity, as both wires are bipolar

Specification

Rated voltage:	22V (wire to earth)
Protection voltage:	25V / 33V / 50V(*) (wire to earth) others on request
Series resistance:	22,1 Ohm
Max. rated current:	100 mA
Rated stray-current:	10 kA
Reaction time:	< 0,1 ns
Connection data:	fine-wire: 4mm ² single-wire: 4 mm ²
Weight	max. 100 g
Protection	IP 20

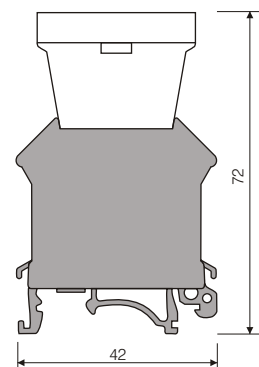
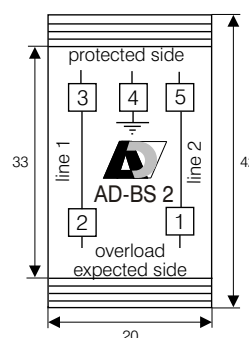
(*) - values must be advised by order

Block diagram and dimensions: AD-BS 2 ST



weight: max. 100 g
protection: IP 20
manner of fastening:
DIN rail 35mm (EN50022)

connection data:
fine-wire: 4,0 mm²
single-wire: 4,0 mm²
max. voltage: 250 V~



Important:

- * input is where the overload is expected
- * output is the protected side

Printed 03/1994. We reserve the right for technical changes



ADAMCZEWSKI
Elektronische Messtechnik GmbH

Felix-Wankel-Str. 13
Tel. +49 (0)7046-875
vertrieb@ad-messtechnik.de

74374 Zaberfeld
Fax +49 (0)7046-7678
www.adamczewski.com