

Surge Protection

AD-BS 3 ST

Description

Protection of 2 low voltage instrument leads against abrupt and energy-rich surge peaks, as they can occur for instance due to lightning strikes, switching procedures in the power supply and connected appliances, through inductive influences or static charge. Additional transverse voltage limitation between 2 wires.

Application

Electrical: balanced bipolar combination of high duty protector elements and quick reaction fine protector elements. **Additional transverse voltage limitation!**

Mechanical: the surge protection consist of a three polar line up terminal (system Phoenix URELG 3) and the plug-in type, two wire protection element.



Special characteristics

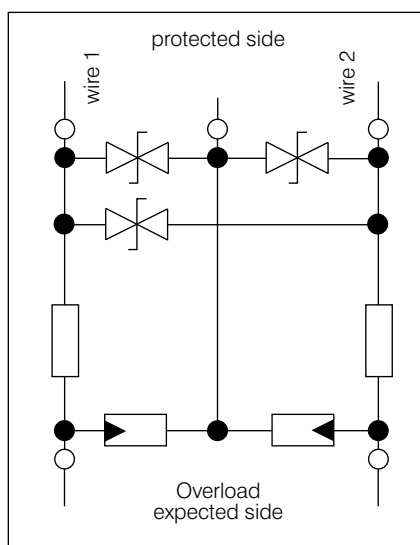
- additional transverse voltage protection (wire against wire)
- using the basic terminal in place of the distribution board line up terminal
- the basic terminal fits onto the symmetric and asymmetric standard instrument bus bar (DIN 46277/1 and DIN 46277/3)
- simple exchange of protection elements, even by untrained personnel
- simple interruption of the connection to long distance line for measuring and test purposes
- no taking into account of the polarity, as both wires are bipolar

Specification

Rated voltage:	22V (wire to ground, wire to wire)
Protection voltage:	25V / 33V / 50V(*) (wire to ground, wire to wire) others on request
Series resistance:	22,1 Ohm
Max. rated current:	100 mA
Rated stray-current:	10 kA
Reaction time:	< 0,1 ns
Connection data:	fine-wire: 4mm ² single-wire: 4 mm ²

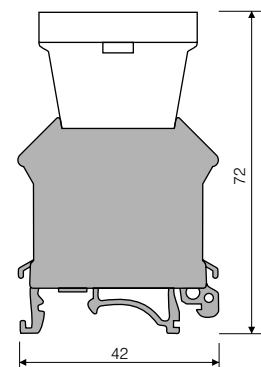
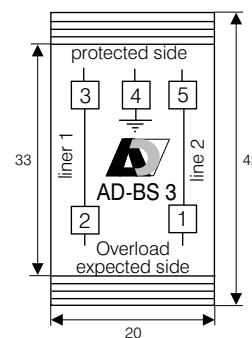
(*) - values must be advised by order

Block diagram and dimensions: AD-BS 3 ST



weight: max. 100 g
protection: IP 20
manner of fastening:
DIN rail 35mm (EN50022)

connection data:
fine-wire: 4,0 mm²
single-wire: 4,0 mm²
max. voltage: 250 V~



Important:

- * input is where the overload is expected
- * output is the protected side

Printed 10/1991. We reserve the right for technical changes



ADAMCZEWSKI
Elektronische Messtechnik GmbH

Felix-Wankel-Str. 13
Tel. +49 (0)7046-875
vertrieb@ad-messtechnik.de

74374 Zaberfeld
Fax +49 (0)7046-7678
www.adamczewski.com