

# Burden Amplifier

## AD-BV 20 GVC

### Description

The burden amplifier AD-BV 20 GVC serves the power amplification (burden increase) in application with high current loop resistance, i.e. line resistance.

The burden amplifier is switched directly behind a present current source (i.e. separation amplifier AD-TV 22 GL), whereby the energy of the current source is also used.

The device output of the total device chain is optimally utilised. The galvanic signal separation of the series separation amplifier continues to be realised.

### Application

With applications, in which separation amplifiers with, for instance,

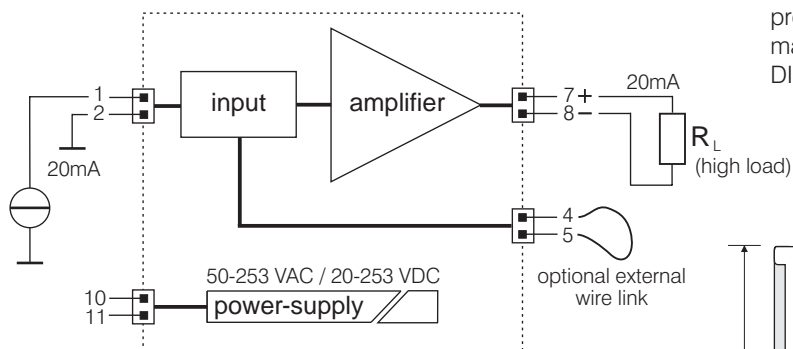


maximum 500 Ohm can no longer achieve the required burden voltage for bridging high power resistance.

### Specification

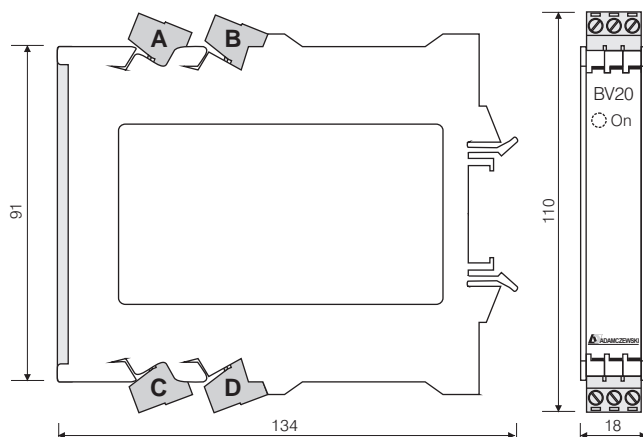
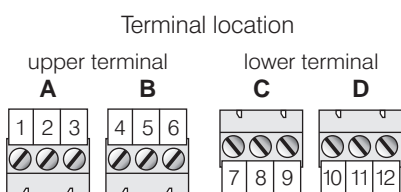
Construction	1-channel switchboard housing 18x110x128mm (WxHxD) with detachable terminal clamp
Power-supply	20...253 VDC or 50...253 VAC
Power-consumption	max. 1 W / 1,5 VA
Input	0...20 mA, 4...20 mA
Input voltage consumption	6 V or 2 V with external wire link (clamp 4 +5)
Output	0/4...20 mA (1:1 input/output) <b>no galvanic separation to input!</b>
Output load	1,3 kOhm or. 1 kOhm with external wire link (clamp 4 +5)
Linearity error	< 0,02 % of full scale
Temperature influence	< 10 ppm / K
Insulation test voltage	signal/power-supply 4 kV RMS (1 min)
Protective systems	input/output against over current and over voltage power-supply against over current, over voltage and over temperature
EMC	
Product family standard	EN 61326
Emitted interference	EN 55011, CISPR11 Cl. B
During checking, slight signal deviations are possible	
Electrical safety requirements	
Product family standard	EN 61010-1
Ambient temperature	0...+50 °C

### Connections and dimensions: AD-BV 20 GVC



weight: ca. 110 g  
protection: IP 20  
manner of fastening:  
DIN rail 35mm (EN50022)

connection data:  
fine-wire: 2,5 mm<sup>2</sup>  
single-wire: 4,0 mm<sup>2</sup>  
max. voltage: 250 V~



Printed 11.07.2016. We reserve the right for technical changes



**ADAMCZEWSKI**  
Elektronische Messtechnik GmbH

Felix-Wankel-Str. 13  
Tel. +49 (0)7046-875  
vertrieb@ad-messtechnik.de

74374 Zaberfeld  
Fax +49 (0)7046-7678  
www.adamczewski.com