

Frequency transducer

AD-FM 210 GS

Description:

The frequency measuring converter AD-FM 210 GS supplies an initiator or a contact and transforms its impulse sequence to a proportional impressed analogue signal. The output signal is independent from the connected load up to a maximum value. The measuring converter is adapted to the transmitter type used at the factory and it is calibrated to the application with the highest precision.

Application

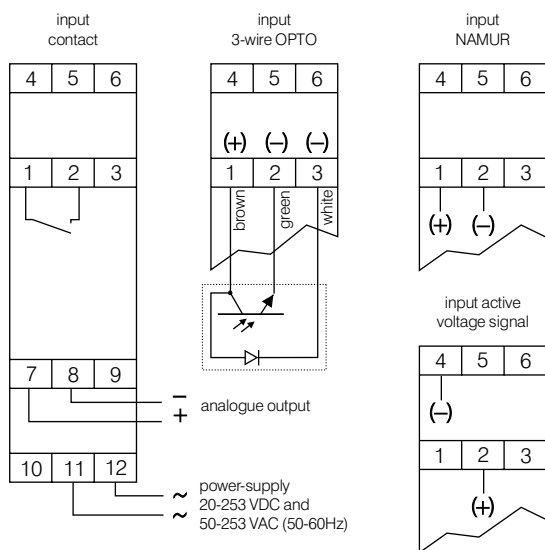
The main area of application is the through-flow measuring at water meters, further applications are energy consumption measuring etc. All customary transmitter types can be used: initiator according to NAMUR (according to DIN-EN 60947-5-6), 3-lead opto-transmitter, reed contacts, transistor outputs and other initiators.



Technical data:

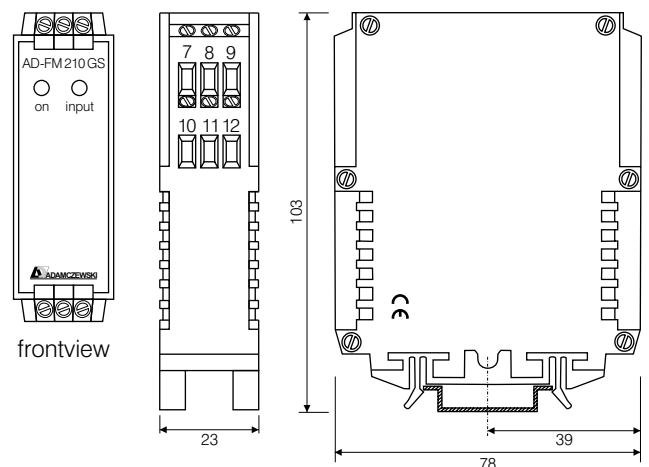
Construction type	switchboard house 23x78x98mm
Power-supply	wide range power supply 20-253VDC / 50-253 VAC (50-60Hz)
Power consumption	approx. 2,5 VA resp. 1,2 W
Input (*)	contact or initiator from NAMUR or transmitter types from options
Input frequency (*):	0-10 Hz up to max. 0-50 kHz
Output (*):	current or voltage, impressed e.g. 0-20mA, 4-20mA or 0-10V
Optionally available	- adjustable zero and full-scale - adjustable switching point
Output burden	current: max. 500 Ohm voltage: min. 500 Ohm
Linearity	> 5%
Insulation test voltage	signal/power supply AC/DC: 4kV RMS input/output: 2 kV RMS
Protective system	input/output against over-voltage, over-current, against polarity reversal power supply against over-voltage, over current and over-temperature
EMC-compatible	EN 50081-2, EN 50082-2, CE conformity
Ambient temperature	0 - 50 °C
(*) to specify by order	

Connections and dimensions: AD-FM 210 GS



weight max. 200 g
protection: IP 20
manner of fastening:
attachment rail: NS35/7,5

connection data:
fine-wire: 2,5 mm²
single-wire: 4 mm²
max. voltage: 250 V~



Printed 04/2008. We reserve the right for technical changes



ADAMCZEWSKI
Elektronische Messtechnik GmbH

Felix-Wankel-Str. 13
Tel. +49 (0)7046-875
vertrieb@ad-messtechnik.de

74374 Zaberfeld
Fax +49 (0)7046-7678
www.adamczewski.com