

Incremental Nominal Value Generator

AD-ISW 100 GS

Description:

The incremental nominal value generator serves to set the default of an analogue value (0/4-20 mA, 0-10 V or similar) with the aid of external control signals. The output range of 0-100% is divided into 256 steps. The output modification by one step is carried out through one input impulse of a minimum length of 64 ms. With a permanent signal, the automatic modification is carried out approx. every 282 ms by one step. For input impulse sizes, potential free contacts as well as a DC source of 5-30 V DC can be selected. The output signal is galvanically separated from the inputs and from the supply voltage. As an option, the following extensions are possible: plus/minus keys at the front, programming interface, bar graph display



Application:

For setting the default of analogue values via external control signals (contact or DC voltage).

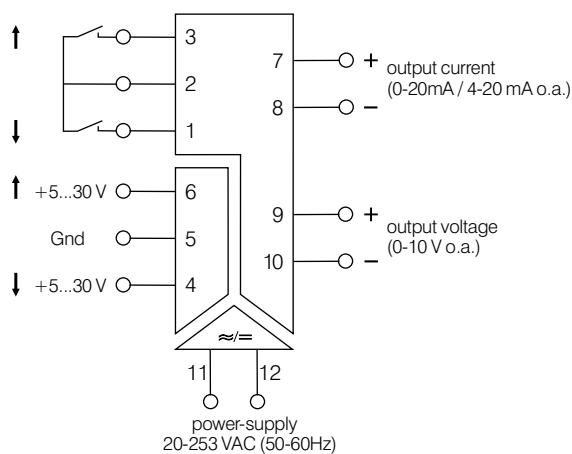
Technical data:

Construction type:	snap case for attachment rail
Power supply:	ALLPOWER 20-253 V AC or DC
Power consumption:	ca. 2,6 VA or 1,4W
Input:	potential-free contact or DC-voltage 5...30 V
Input burden:	contact: 5V, approx: 0,2 mA DC-voltage: approx. 8 mA
Output:	current: 0-20 mA or 4-20 mA voltage: 0-10 VDC
Output burden:	current: max. 500 Ohm voltage: min. 10 kOhm
Adjustment range:	0-100% = 0-256 steps other start- or end value possible Zero (others on request)
Start-value:	Zero (others on request)
Linearity error:	<0,1%
Insulation test voltage:	input/output 1,0 kV RMS signal/supply 4 kV RMS AC
Protection:	input/output: against over-voltage Power pack: against over voltage over load and over temperature
Ambient temperature:	0-50 C
OPTIONS:	- with integrated push-button switch - with integrated 10 digit display - with interface for start-/end value, increment, on-position

Connections and dimension: AD-ISW 100 GS

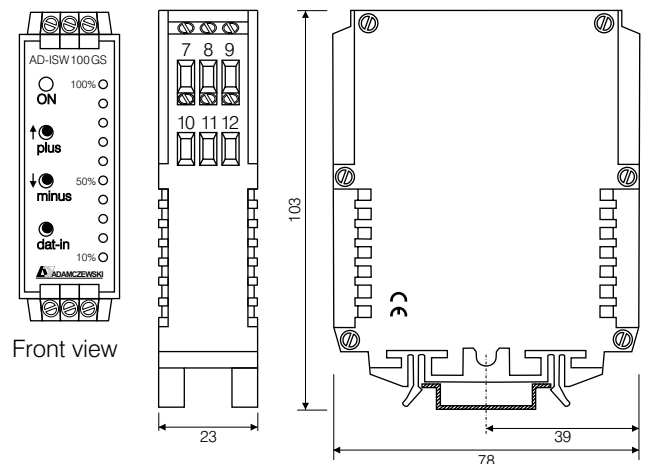
input:
contact or DC-signal

output:
analog nominal-set value



weight 160 g
protection: IP 20
manner of fastening:
attachment rail: NS35/7,5

connection data:
fine-wire: 2,5 mm²
single-wire: 4 mm²
max. voltage: 250 V~



Printed 08/2006. We reserve the right for technical changes



ADAMCZEWSKI
Elektronische Messtechnik GmbH

Felix-Wankel-Str. 13
Tel. +49 (0)7046-875
vertrieb@ad-messtechnik.de

74374 Zaberfeld
Fax +49 (0)7046-7678
www.adamczewski.com