

Coupling Relay

AD-KR 11 GX
AD-KR 12 GX
AD-KR 22 GX

Description

The coupling relays of series AD-KR 11 GX, AD-KR 12 GX (1-channel) and AD-KR 22 GX (2-channel) serve the galvanic separation and amplification of contact messages. At the front, the operating condition of the relay is indicated via an illuminated diode. A free-wheeling diode and a reverse polarity protection are integral.

Due to the narrow type of construction, with an overall housing width of only 6.2 mm, a high packing density is achieved. In combination with bearing rail connectors, the wiring requirement is substantially reduced.

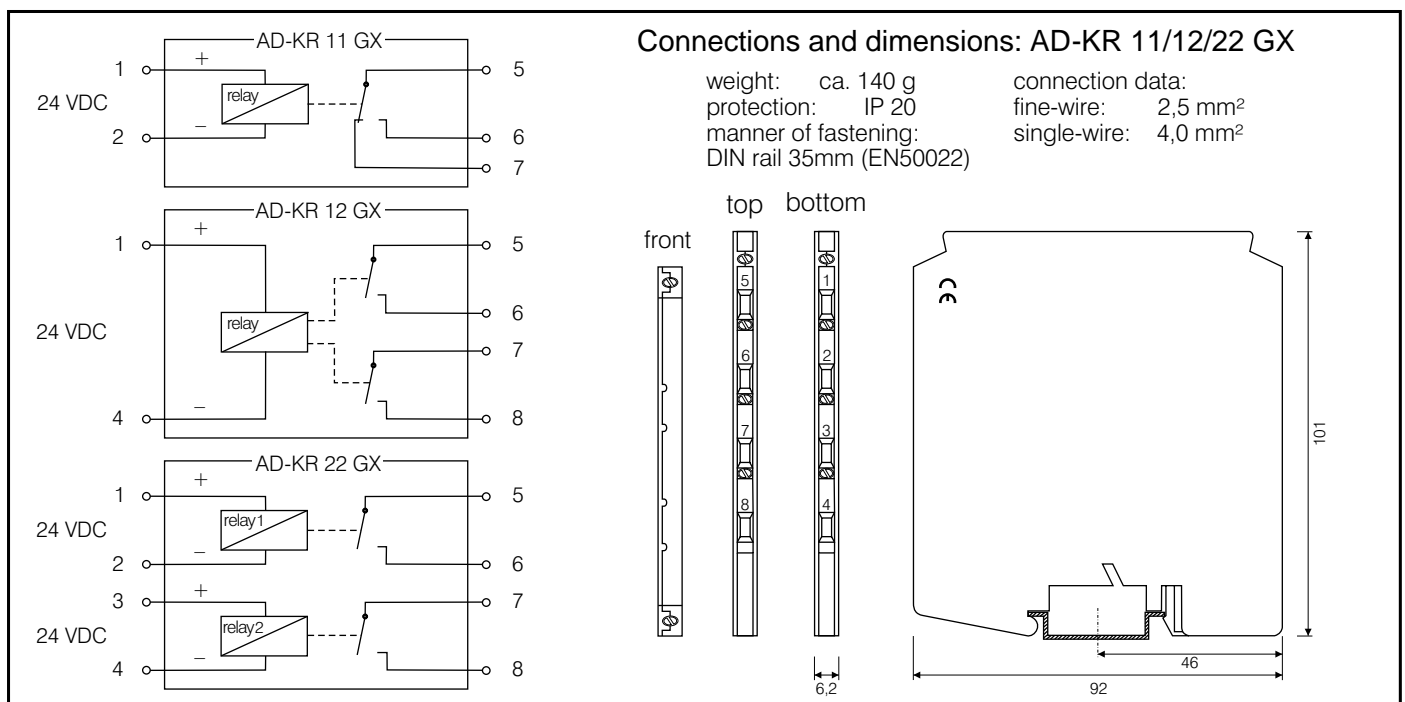
Application

Galvanic separation and amplification of contact messages.



Specification

construction	1-channel switchboard housing 6,2 x 92 x 101 mm (WxHxD)	
<u>exciter side</u>		
input signal:	20-30 VDC	
response time:	ca. 6 ms	
fall time:	ca. 6 ms	
power consumption:	with 24V ca. 150 mW / contact	
<u>contact side</u>		
layout	AD-KR 11 GX	1 change-over contact (1-channel)
	AD-KR 12 GX	2 normally open contact (1-channel)
	AD-KR 22 GX	1 normally open contact each channel (2-channel)
contact material	AgCdO	
max. switching voltage	250 AC / DC	
max. switching continuous current	2 A	
max. switching capacity	100 VA	
max. operating cycles	1 switching cycle/sec.	
testing voltage		
contact/coil	4000 VAC eff.	
electr. physical life	1 x 10 ⁵ (230 VAC, 2 A, ohmic)	
mech. physical life	10 ⁷	
Electrical safety requirements		
Product family standard	EN 61010-1	
VDE-regulations	VDE 0110 Gruppe C, VDE 0804	
ambient temperature	0 - 50 °C	



Printed 05.02.2013. We reserve the right for technical changes



ADAMCZEWSKI
Elektronische Messtechnik GmbH

Felix-Wankel-Str. 13
Tel. +49 (0)7046-875
vertrieb@ad-messtechnik.de

74374 Zaberfeld
Fax +49 (0)7046-7678
www.adamczewski.com