

Description

The digital power converter AD-LU 45 GT measures all values of the three-phase power grid such as current, voltage, energy, active, reactive, apparent power and frequency and makes this data available via a fieldbus. The device is therefore ideally suited for integration into energy management systems. The ProfiNet variant contains a 2-port switch for direct forwarding to the next device. 3- or 4-wire networks can be measured. 4-wire networks may have balanced or unbalanced load. 3-wire networks must have balanced load. The AD-LU 45 GT is powered by its measuring voltage L1. However, a variant with separate supply terminals and wide-range power supply is also available (AD-LU 45-S GT). The current measurement takes place via external split-core current transformers, which can be mounted on the wire to be measured without cutting. For the measurement of higher voltages, external converters can be connected at any time. LEDs on the front panel signal the operating state and the data traffic. The compact design and the high performance combined with low energy consumption allow it to be used in almost any application. In addition, the device has a front-sided RS485 interface to which, for example, the TFT display AD-MM 400 can be connected. Somit können ohne großen Aufwand auch vor alle Messwerte angezeigt werden. Thus, without any great effort, all measured values can be displayed.

Application

Measurement and monitoring of all electrical characteristics in electrical systems. Detection of load profiles for energy management systems, e.g. ISO 50001. Recording the energy consumption of individual consumers. Monitoring of voltage quality variables, e.g. Harmonics. Attention: This is a Class A product according to EN 55011. Additional EMC actions may be necessary when used in small businesses or in residential areas.

Specific characteristics

- Measurement of external split-core transformers
- Counters for active, reactive and apparent energy
- Fieldbus interface for PROFINET or PROFIBUS
- RS485 interface for connecting a TFT display

Business data

Order number

AD-LU 45 GT-PN	PROFINET
AD-LU 45-S GT-PN	PROFINET, with separate supply terminals
AD-LU 45 GT-PB	PROFIBUS
AD-LU 45-S GT-PB	PROFIBUS, with separate supply terminals

Accessory

AD-KSW 50/100/200/400/600	split core current transformer 50/100/200/400/600 A
AD-MM 400	TFT display for front panel installation



Power Measurement

AD-LU 45 GT; AD-LU 45S GT



Technical specifications

Current-inputs (I1...I3)

Measuring ranges	0 ... 33,3 mA (over split-core-transformer)
Input resistance	ca. 10 Ohm
Max. measurable harmonic	40

Voltage-inputs (L1...L3)

Measuring range	80 ... 253 V AC (AD-LU 40 GT) 0 ... 253 V AC (AD-LU 40S GT)
Input resistance	ca. 970 kOhm

PROFINET

Ethernet	2 Port Switch
Protocol specification	PROFINET IO
Default IP-address	0.0.0.0

PROFIBUS

Address setting	BCD-switches 00...99
Bus termination	120 ohms both sides at the end
Max. length of bus	500 m (no stubs)
Cable	twisted and shielded

RS485-Bus

Software protocol	Modbus-RTU
Data format	19200, e, 8, 1
Max. bus users	99
Bus termination	120 ohms both sides at the end
Bus termination	120 ohms both sides at the end
Max. length of bus	500 m (no spur lines)
Cable	twisted and shielded
Address setting	BCD-switches 00...99

Supply

Voltage range AC	80 ... 253 V AC, 50/60 Hz (see voltage-inputs)
Nominal voltage AC	230 V AC
Power consumption	max. 4 VA

Supply (-S)

Voltage range AC	50 ... 253 V AC, 50/60 Hz
Voltage range DC	20 ... 253 V DC
Nominal voltage AC/DC	230 V AC / 24 V DC
Input power AC/DC	max. 4 VA / 3 W

Measure

Basic accuracy	<= 0,5 % (class 0.5)
Temperature influence	80 ppm/K
Sampling interval	200 ms

Housing

Dimensions (WxHxD)	105x90x71 mm
Type of protection	IP 20
Connection method	screw clamp
Terminals, wire cross section	2,5 mm ² flex wire / 4 mm ² one wire
Bolting torque terminals	0,6 Nm
Weight	~ 210 g
Manner of fastening	35 mm DIN rail 35mm

Environmental conditions

Ambient temperature	-10 ... 50 °C
Storage and transport	-10 ... 70 °C (no condensation)

EMC

Product family standard	EN 61326-1 ¹⁾
Emitted interference	EN 55011, CISPR11 Cl. A, Gr. 1

Electrical safety requirements

Product family standard	EN 61010-1
Overvoltage category	II
Pollution degree	2
Safety measurement	EN 61010-2-030
Measurement category	CAT III

Galvanic isolation, test voltages

Grid side zu bus	4 kV, 50 Hz (1 min.)
Grid side to control elements	4 kV, 50 Hz (1 min.)

¹⁾ During checking, slight signal deviations are possible.

Power Measurement

Block and wiring diagram

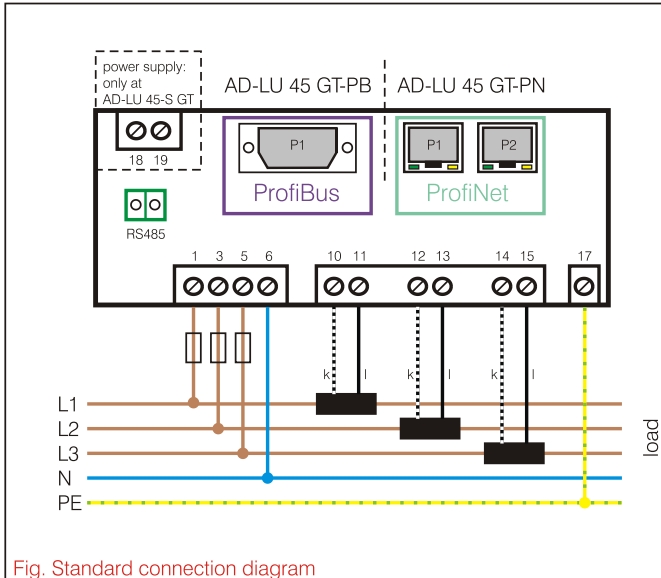


Fig. Standard connection diagram

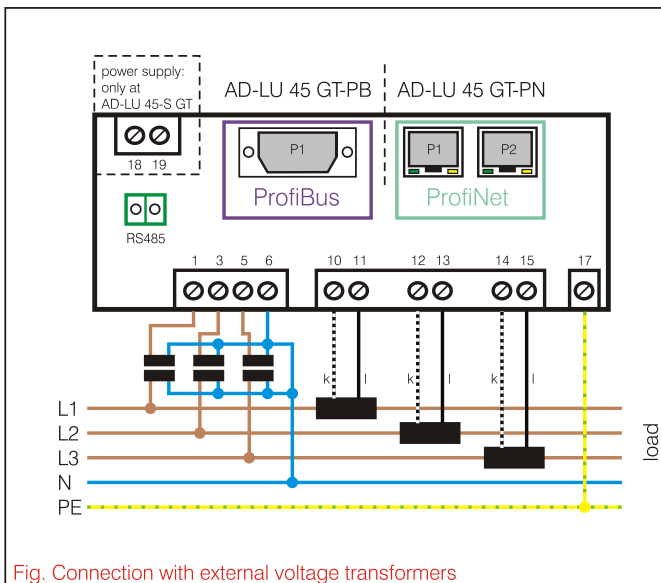
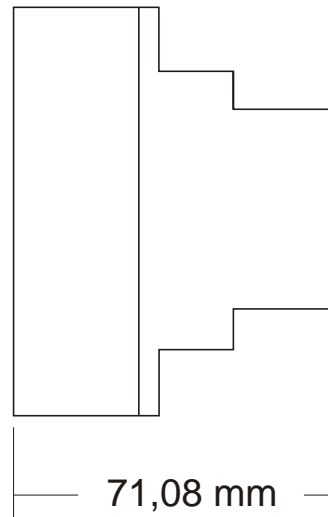
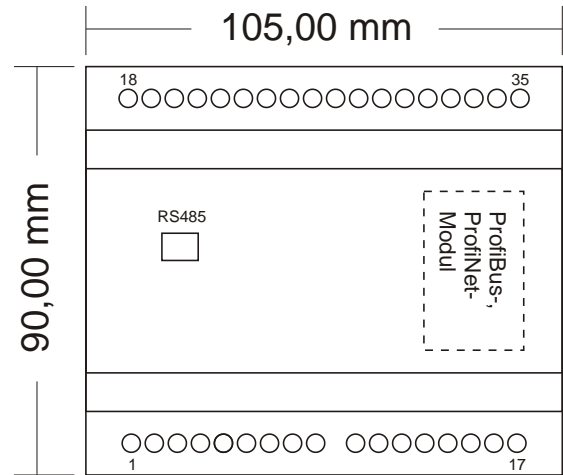


Fig. Connection with external voltage transformers

Dimensions



Power Measurement

AD-LU 45 GT; AD-LU 45S GT



Explanations:

PROFINET: NS-Led (Network Status):

The NS-LED signals the network status.

LED Status:	Description:	Comments
off	Offline	- no Power - no connection with IO-Controller
green	Online RUN	- connection with IO-Controller established - IO-Controller in RUN Status
green - 1 flash	Online STOP	- connection with IO-Controller established - IO-Controller in STOP Status - IO-data bad - IRT synchronization not finished
grün - blinking	link mode	- Uses by engineering tools to identify the node on the network
red	fatal event	- Major internal error
rot - 1 flash	station name error	- Station name not set
rot - 2 flash	IP-Address error	- IP-address not set
rot - 3 flash	configuratio error	- Expected identification differs from real identification

PROFINET: MS-Led (Modul Status):

The MS-LED signals the status of the ProfiNet module in the power meter.

LED Status:	Description:	Comments
off	not initialized	- Nor power or module in "SETUP" or "NW-INIT" state
green	normal operation	- Modul has shifted from "NW-INIT" state
green - 1 flash	diagnostic event	- diagnostic event present
red	exception error or fatal event	- Device in state EXCEPTION or major internal error
alternating red/green	firmwareupdate	- Do not power off the modul - turning the module off during this phase could cause permanent damage

PROFIBUS: OP-Led (Operation Mode):

The OP-Led signals the operation mode.

rot - 2 flash	Configuration error	- See "Profibus Configuration Error" in Profibus specification
off	Offline / no power	
green	Online, data exchange	
green - flashing	Online, clear	
rot - 1 flash	Parameterization error	- See "Parameterization Data Handling" in Profibus specification
rot - 2 flash	Configuration error	- See "Profibus Configuration Error" in Profibus specification

PROFIBUS: ST-Led (Status):

The ST-Led signals the status of the device.

LED Status:	Description:	Comments
off	Not initialized	- Not initialized jet
green	initialized	- Initialization completed successfully
green - flashing	initialized, diagnostic events present	Extended diagnostic bit is set
rot	Exception error	- Exception error detected

Power Measurement

AD-LU 45 GT; AD-LU 45S GT



Modbus-Data (RS485-bus)

Messwerte:

address	count register	name	unit	type	read	write
40801	2	TOTAL_ACTIVE_POWER	kW	float	1	0
40803	2	PHASE_A_ACTIVE_POWER	kW	float	1	0
40805	2	PHASE_B_ACTIVE_POWER	kW	float	1	0
40807	2	PHASE_C_ACTIVE_POWER	kW	float	1	0
40809	2	TOTAL_REACTIVE_POWER	kvar	float	1	0
40811	2	PHASE_A_REACTIVE_POWER	kvar	float	1	0
40813	2	PHASE_B_REACTIVE_POWER	kvar	float	1	0
40815	2	PHASE_C_REACTIVE_POWER	kvar	float	1	0
40817	2	TOTAL_APPARENT_POWER	kVA	float	1	0
40819	2	PHASE_A_APPARENT_POWER	kVA	float	1	0
40821	2	PHASE_B_APPARENT_POWER	kVA	float	1	0
40823	2	PHASE_C_APPARENT_POWER	kVA	float	1	0
40825	2	TOTAL_POWER_FACTOR		float	1	0
40827	2	PHASE_A_POWER_FACTOR		float	1	0
40829	2	PHASE_B_POWER_FACTOR		float	1	0
40831	2	PHASE_C_POWER_FACTOR		float	1	0
40833	2	TOTAL_ACTIVE_FUNDAMENTAL_POWER	kW	float	1	0
40835	2	PHASE_A_ACTIVE_FUNDAMENTAL_POWER	kW	float	1	0
40837	2	PHASE_B_ACTIVE_FUNDAMENTAL_POWER	kW	float	1	0
40839	2	PHASE_C_ACTIVE_FUNDAMENTAL_POWER	kW	float	1	0
40841	2	TOTAL_ACTIVE_HARMONIC_POWER	kW	float	1	0
40843	2	PHASE_A_ACTIVE_HARMONIC_POWER	kW	float	1	0
40845	2	PHASE_B_ACTIVE_HARMONIC_POWER	kW	float	1	0
40847	2	PHASE_C_ACTIVE_HARMONIC_POWER	kW	float	1	0
40849	2	PHASE_A_VOLTAGE_RMS	V	float	1	0
40851	2	PHASE_B_VOLTAGE_RMS	V	float	1	0
40853	2	PHASE_C_VOLTAGE_RMS	V	float	1	0
40855	2	N_LINE_CALCULATED_CURRENT_RMS	A	float	1	0
40857	2	PHASE_A_CURRENT_RMS	A	float	1	0
40859	2	PHASE_B_CURRENT_RMS	A	float	1	0
40861	2	PHASE_C_CURRENT_RMS	A	float	1	0
40863	2	CHANNEL_A_VOLTAGE_PEAK	V	float	1	0
40865	2	CHANNEL_B_VOLTAGE_PEAK	V	float	1	0
40867	2	CHANNEL_C_VOLTAGE_PEAK	V	float	1	0
40869	2	CHANNEL_A_CURRENT_PEAK	A	float	1	0
40871	2	CHANNEL_B_CURRENT_PEAK	A	float	1	0
40873	2	CHANNEL_C_CURRENT_PEAK	A	float	1	0
40875	2	FREQUENCY	Hz	float	1	0
40877	2	PHASE_A_MEAN_PHASE_ANGLE	°	float	1	0
40879	2	PHASE_B_MEAN_PHASE_ANGLE	°	float	1	0
40881	2	PHASE_C_MEAN_PHASE_ANGLE	°	float	1	0
40883	2	MEASURED_TEMPERATURE	°C	float	1	0
40885	2	PHASE_A_VOLTAGE_PHASE_ANGLE	°	float	1	0
40887	2	PHASE_B_VOLTAGE_PHASE_ANGLE	°	float	1	0
40889	2	PHASE_C_VOLTAGE_PHASE_ANGLE	°	float	1	0
40891	2	PHASE_AB_VOLTAGE_RMS	V	float	1	0
40893	2	PHASE_BC_VOLTAGE_RMS	V	float	1	0
40895	2	PHASE_CA_VOLTAGE_RMS	V	float	1	0

Zähler:

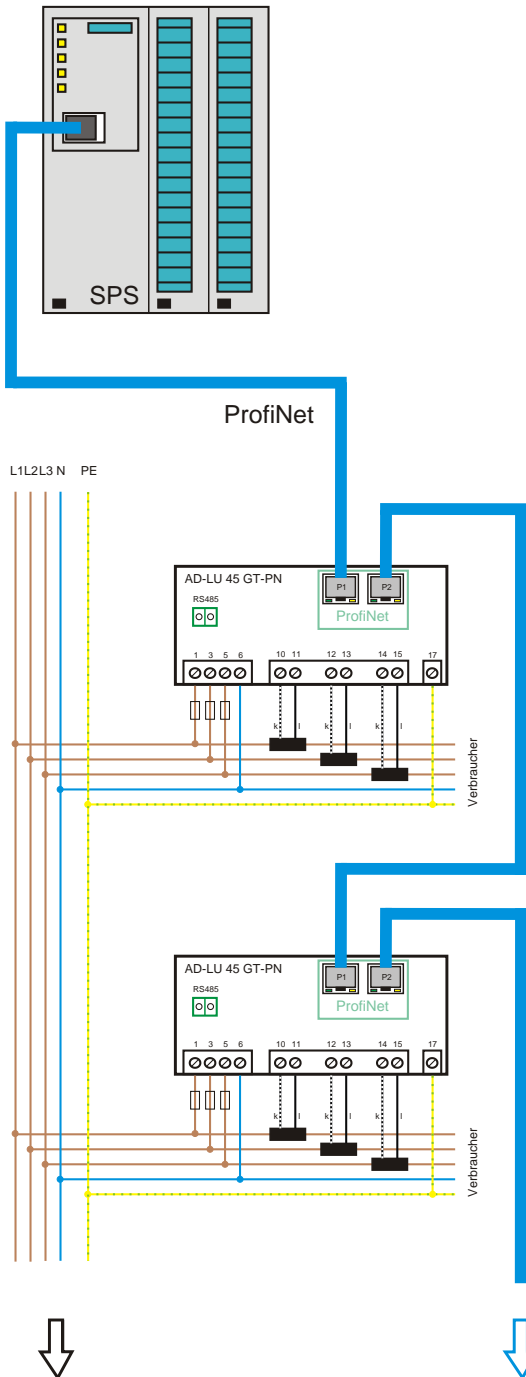
address	count register	name	unit	type	read	write
44009	2	ENERGY_KWH_TOTAL_CONSUMPTION	kWh	U32	1	1
44011	2	ENERGY_KWH_TOTAL_INFEED	kWh	U32	1	1
44013	2	ENERGY_KVARH_TOTAL_INDUCTIVE	kVarh	U32	1	1
44015	2	ENERGY_KVARH_TOTAL_CAPACITIVE	kVarh	U32	1	1
44017	2	ENERGY_KVAH_TOTAL	kVAh	U32	1	1
44019	2	WORKING HOURS	kVAh	U32	1	1
44021	2	LOAD HOURS	kVAh	U32	1	1

Power Measurement

AD-LU 45 GT; AD-LU 45S GT



Circuit examples



ProfiNet/ProfiBus Data

P Total [kW]	float	4 Byte	Read	
P L1 [kW]	float	4 Byte	Read	
P L2 [kW]	float	4 Byte	Read	
P L3 [kW]	float	4 Byte	Read	
Q Total [kvar]	float	4 Byte	Read	
Q L1 [kvar]	float	4 Byte	Read	
Q L2 [kvar]	float	4 Byte	Read	
Q L3 [kvar]	float	4 Byte	Read	
S Total [kVA]	float	4 Byte	Read	
S L1 [kVA]	float	4 Byte	Read	
S L2 [kVA]	float	4 Byte	Read	
S L3 [kVA]	float	4 Byte	Read	
Power Factor Total	float	4 Byte	Read	
Power Factor L1	float	4 Byte	Read	
Power Factor L2	float	4 Byte	Read	
Power Factor L3	float	4 Byte	Read	
P Fundamental Total [kW]	float	4 Byte	Read	
P Fundamental L1[kW]	float	4 Byte	Read	
P Fundamental L2[kW]	float	4 Byte	Read	
P Fundamental L3[kW]	float	4 Byte	Read	
P Harmonic Total [kW]	float	4 Byte	Read	
P Harmonic L1 [kW]	float	4 Byte	Read	
P Harmonic L2 [kW]	float	4 Byte	Read	
P Harmonic L3 [kW]	float	4 Byte	Read	
U L1 [V]	float	4 Byte	Read	
U L2 [V]	float	4 Byte	Read	
U L3 [V]	float	4 Byte	Read	
Calculated I N-LINE [A]	float	4 Byte	Read	
I L1 [A]	float	4 Byte	Read	
I L2 [A]	float	4 Byte	Read	
I L3 [A]	float	4 Byte	Read	
Peak U L1 [V]	float	4 Byte	Read	
Peak U L2 [V]	float	4 Byte	Read	
Peak U L3 [V]	float	4 Byte	Read	
Peak I L1 [A]	float	4 Byte	Read	
Peak I L2 [A]	float	4 Byte	Read	
Peak I L3 [A]	float	4 Byte	Read	
Frequency [Hz]	float	4 Byte	Read	
Angle I L1 [°]	float	4 Byte	Read	
Angle I L2 [°]	float	4 Byte	Read	
Angle I L3 [°]	float	4 Byte	Read	
Angle U L1 [°]	float	4 Byte	Read	
Angle U L2 [°]	float	4 Byte	Read	
Angle U L3 [°]	float	4 Byte	Read	
Counter total extract [kWh]	dword	4 Byte	Read	
Counter total feed [kWh]	dword	4 Byte	Read	
Counter total ind [kvarh]	dword	4 Byte	Read	
Counter total cap [kVarh]	dword	4 Byte	Read	
Counter total apparent power [kVAh]	dword	4 Byte	Read	
Counter working hours [h]	dword	4 Byte	Read	
Param I PRIM [A]	float	4 Byte	Read/Write	
Param I SEC [A]	float	4 Byte	Read/Write	
Param U PRIM [V]	float	4 Byte	Read/Write	
Param U SEC [V]	float	4 Byte	Read/Write	
Control Word	(*1)	word	2 Byte	Write
Status Word	(*2)	word	2 Byte	Read
Serial Number		dword	4 Byte	Read
Firmware Version		word	2 Byte	Read
Language		word	2 Byte	Read

(*1)	Bit 15	Bit 14	Bit 13	Bit 12	Bit 11	Bit 10	Bit 9	Bit 8	Bit 7	Bit 6	Bit 5	Bit 4	Bit 3	Bit 2	Bit 1	Bit 0
Control Word	—	—	—	—	—	—	—	—	—	—	—	—	—	—	Counter Reset	Softw. Reset
(*2)	Bit 15	Bit 14	Bit 13	Bit 12	Bit 11	Bit 10	Bit 9	Bit 8	Bit 7	Bit 6	Bit 5	Bit 4	Bit 3	Bit 2	Bit 1	Bit 0
Status Word	—	—	—	—	—	—	—	—	—	High Temp.	I3 Overfl.	I2 Overfl.	I1 Overfl.	L3 Error	L2 Error	L1 Error