

Description

The AD-LU 680 GA is a programmable transmitter for measuring all parameters such as power, voltage, current or frequency in the mains. The currents are registered via external clamp-on current transformer. Any measured quantity can be allocated to each analogue outlet. The measuring ranges can be configured in wide ranges. Filters, which can be individually parameterized, supplement the adaption possibilities of the measuring task. Each switching output can be assigned to a specific function. Possible functions include, for example, Limit or pulse output for energy metering.

Application

Measurement and analog output of up to 4 signals in a three-phase mains. Easy recording of currents by external clamp-on current transformer CT. Limit indicators for monitoring of up to 2 signals in a three-phase mains. Analogue front-end for energy management systems. Registration of all relevant measuring quantities of the three-phase current network and supply of the measuring quantities via a modbus interface.



Specific characteristics

- Measuring quantities: effective power, reactive power, apparent power, currents and voltages, frequency, power factor, energy metering
- The currents are registered via external clamp-on current transformer.
- Four bipolar analogue outputs as current output or voltage output, configurable per software
- Two switching outputs as relay or opto-coupler. Functions: limiting value, window, trend, SO, monitor
- Meter for effective energy, reactive energy and apparent energy
- Values for each phase and they can be polled as sum
- Output of up to four measuring quantities of the three-phase current network such as effective power, current, voltage or frequency
- Indication of the power fed back into the network is possible via analogue output and/or switching output
- Connection configurations: single-phase, three-phase current with/without neutral conductor, equally/unequally loaded
- All measuring quantities can be read out via modbus
- All measuring ranges, output ranges and device functions can be configured per software with a PC programme.

Business data

Order number

AD-LU 680 GA	
Preconfigured	optional
Optocoupler outputs	optional

Current transformers, not included

KSW 50	50A / 33,3mA
KSW 100	100A / 33,3mA
KSW 200	200A / 33,3mA
KSW 400	400A / 33,3mA
KSW 600	600A / 33,3mA

Please order the required CTs with the product.

Technical specifications

Voltage inputs

U1N, U2N, U3N Nominal	230 V AC
U1N, U2N, U3N Max	300 V AC
Current consumption per phase	0,5 mA AC
Peak load	600 V AC, 1s

Current inputs

ATTENTION! DO NOT CONNECT CTs WITH 1/5A.	
Rated current I1, I2, I3	0 ... 33,3 mA AC
Peak load	700 mA AC, 1s
Continuous load	100 mA AC
Input resistance per phase	~10 Ohm

Analog outputs

Number	4
Current or voltage configurable	

Current outputs

Max. residual ripple	40 µAss
Max. burden	400 Ohm
Maximum output range	-21 ... 21 mA

Voltage outputs

Max. residual ripple	20 mVss
Min. burden	10 kOhm
Maximum output range	-10,5 ... 10,5 V

Contact outputs

Closer	2
Switching capacity AC	250 V AC, 2A, 50Hz
Switching capacity DC	50 V DC, 2A

Optocoupler outputs

Switching capacity DC	30 V DC, 50 mA DC
-----------------------	-------------------

Accuracy

Accuracy class	0,5%
Temperature influence	< 200 ppm/K
Frequency influence	~0,2 %, 40 ... 60 Hz
Influence of phase angle	~0,2 %, 40 ... 60 Hz
Response time	~500 ms, 10 ... 90 %

Communication interface

Physical	RS-485
Parameter	19200, 8, 1, even
Protocol	Modbus RTU



Technical specifications

Supply

DC	20 ... 253 V DC, 5 W
AC	50 ... 253 V AC, 9 VA

Housing

Type of protection	IP 20
Connection method	screw clamp
Cross section fine wire	2,5 mm ²
Cross section one wire	4 mm ²
Mounting	DIN rail mounting
Weight	~450 g

Environmental conditions

Operating temperature	0 ... 50 °C
Storage, transport	-25 ... 80 °C

Electromagnetic compatibility

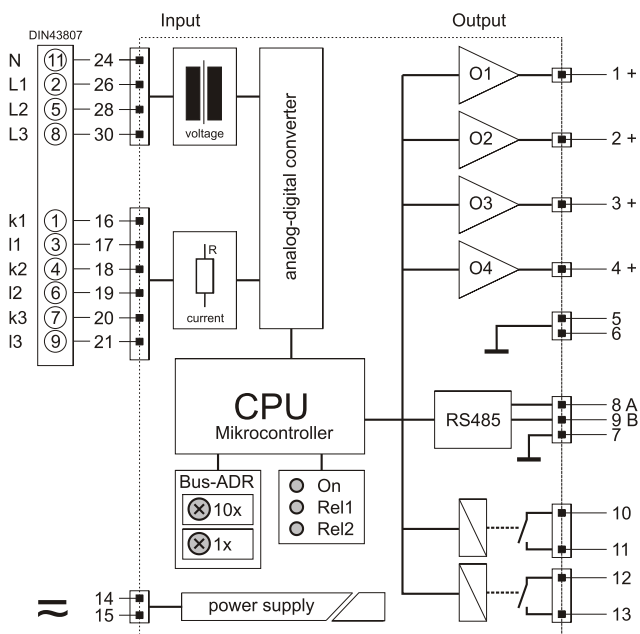
Product family standard	EN 61326
Emission	EN 55011, CISPR11 Cl. B

During an interference effect slight signal deviations are possible.

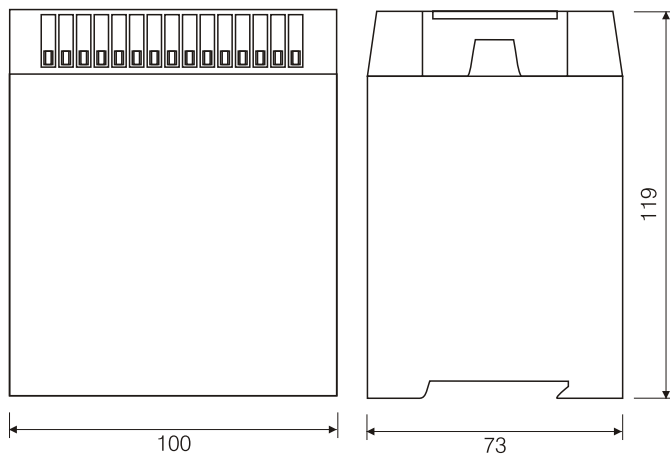
Electrical safety requirements

Product family standard	EN 60688
Overtoltage category	III
Pollution degree	2
Isolation-voltage	500 V AC
Test voltage input/output	5 kV RMS, 1 Min.
Test voltage output/supply	4 kV RMS, 1 Min.

Block and wiring diagram

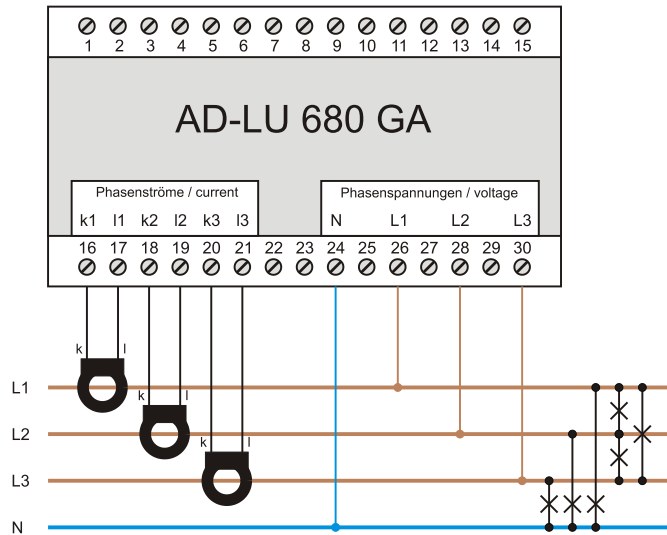


Dimensions

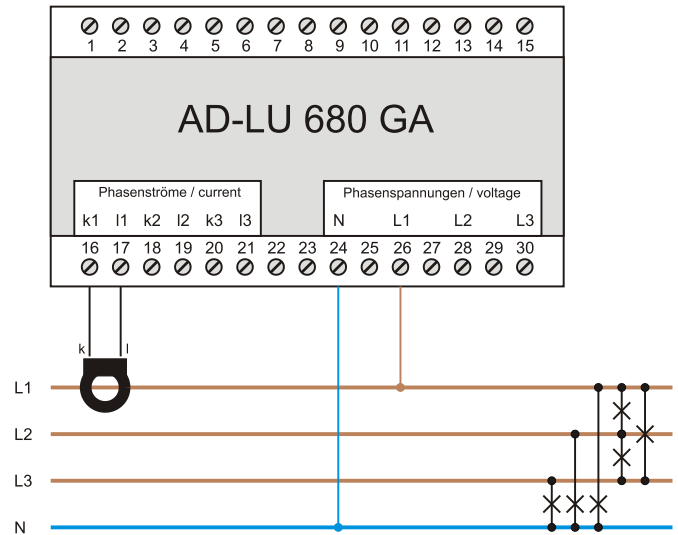


Circuit examples

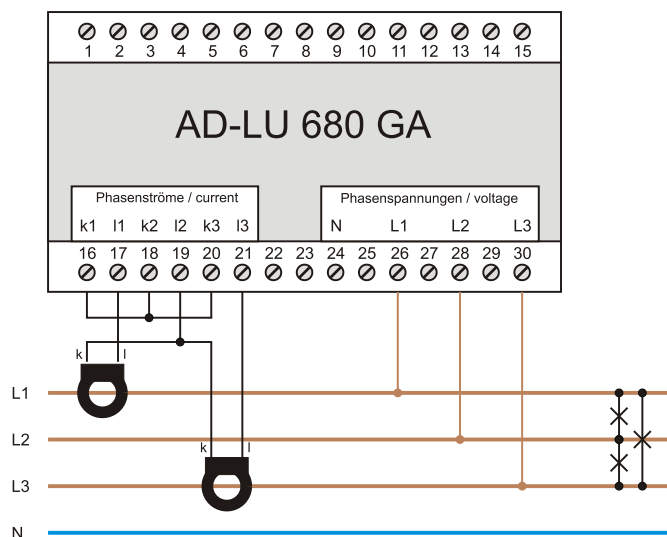
3 Phasen, 4 Leiter, ungleiche Last
3 phases, 4 wire, unbalanced load



3 Phasen, 4 Leiter, gleiche Last
3 phases, 4 wire, balanced load



3 Phasen, 3 Leiter, ungleiche Last
3 phases, 3 wire, unbalanced load



3 Phasen, 3 Leiter, gleiche Last
3 phases, 3 wire, balanced load

