

**Description**

The evaluator is programmed comfortably via PC or laptop. The relevant parameterization software AD-Studio and the programming interface cable are available as option. The maximum/minimum value evaluator AD-MMA 400 GVC acquires up to four input streams 0/4-20mA, compares them and makes the highest or deepest of these streams available 1:1 at the output. The highly linear and galvanically separated output signal (max. 20mA or 10V) is amplified thereby and can be used at the same time. The integrated power supply unit is galvanically separated from the input signal as well as also from the output signal. Customer specific works settings are possible on request.

**Application**

Acquisition of up to four input signals, comparison and output of the maximum or minimum value.

**Business data****Order number**

AD-MMA 400 GVC-I	4 Stromeingänge
AD-MMA 400 GVC-U	4 Spannungseingänge

**Information****Downloads****Technical specifications****Current inputs**

Measuring range	-20 ... + 20 mA
Number <sup>1)</sup>	4
Input resistance	60 Ohm

**Voltage inputs**

Measuring range	-10 ... + 10 V
Number <sup>1)</sup>	4
Input resistance	1 MOhm

<sup>1)</sup> Please specify current or voltage inputs when ordering. A galvanic coupling is to be excluded.

**Output current**

Max. output range	0 ... 20,4 mA
Max. burden	500 Ohm
Residual ripple	20 µAss

**Output voltage**

Max. output range	0 ... 10,2 V
Min. burden	5 kOhm
Residual ripple	10 mVss

**Resolution**

Input	13 bit
Output	10 bit

**Transmission behaviour**

Basic accuracy	0,2 % of full scale
Temperature influence	< 100 ppm/K of full scale
Rise time	100 ms (output auf 90 %)

**Supply**

Voltage range AC	50 ... 253 V AC, 50/60 Hz
Nominal voltage AC	230 V AC
Voltage range DC	20 ... 253 V DC
Nominal voltage DC	24 V DC
Power consumption AC / DC	2,2 VA / 1W

**Housing**

Manner of fastening	DIN rail 35mm (EN 50022)
Type of protection	IP 20
Connector cross section	max. 2,5 mm <sup>2</sup>
Weight	~ 140 g

**Environmental conditions**

Ambient temperature	-10 ... 60 °C
Storage and transport	-10 ... 70 °C (no condensation)

### Technical specifications

#### EMC

Product family standard <sup>2)</sup> EN 61326-1  
 Emitted interference EN 55011, CISPR11 Cl. B, Gr. 1  
<sup>2)</sup> During electromagnetic disturbance minor changes in output signal are possible.

#### Electrical safety requirements

Product family standard EN 61010-1  
 Overvoltage category II  
 Pollution degree 2

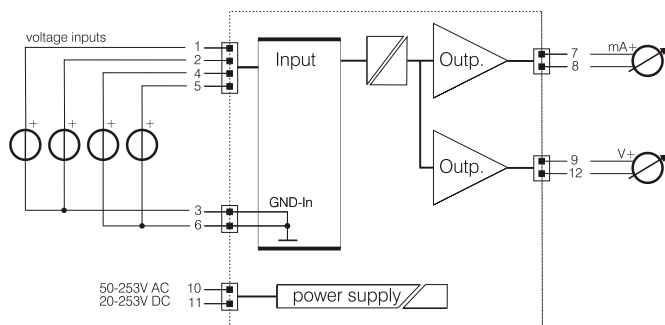
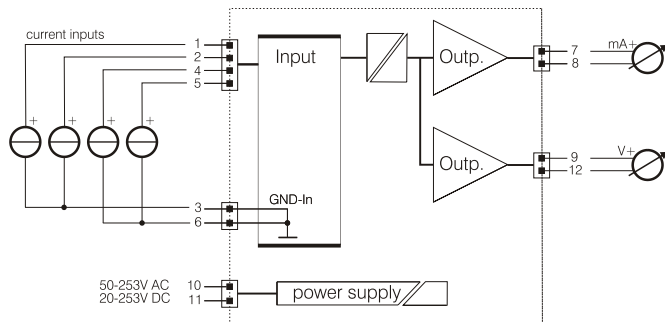
#### Galvanic isolation, test voltages

Input/output 2,5 kV (1 min)  
 Signal/auxiliary voltage 3 kV (1 min)

#### Protective systems

Input/output over voltage and over current  
 Power supply over voltage, over current and over temperature

### Block and wiring diagram



### Dimensions

