

Description

The analogue calculator AD-MU 400 GVC multiplies, divides or extracts square roots up to 4 singly rateable input signals or converts these in a product proportional, quotient proportional or radix proportional output signal. As input signals, currents up to 20 mA or voltages up to 10 V (also bipolar) are possible. The inputs are galvanic separated from the auxiliary voltage and the outputs. The two analogue outputs current (max. 20mA) and voltage (max. 10V) can be utilised simultaneously. The device can be configured with the optional configuration software AD-Studio via the interface AD-PC. However, this can also be carried out at the works according to customer data.

Application

Continuous display of DC output = current x voltage, Amount of heat = temperature difference x through flow etc.



Business data

Order number

AD-MU 400 GVC-I	4 Stromeingänge
AD-MU 400 GVC-U	4 Spannungseingänge

Information

Downloads

Technical specifications

Current inputs

Measuring range	-20 ... + 20 mA
Number ¹⁾	4
Input resistance	60 Ohm

Voltage inputs

Measuring range	-10 ... + 10 V
Number ¹⁾	4
Input resistance	1 MOhm

¹⁾ Please specify current or voltage inputs when ordering. A galvanic coupling is to be excluded.

Output current

Max. output range	0 ... 20,4 mA
Max. burden	500 Ohm
Residual ripple	20 µAss

Output voltage

Max. output range	0 ... 10,2 V
Min. burden	5 kOhm
Residual ripple	10 mVss

Resolution

Input	13 bit
Output	10 bit

Transmission behaviour

Basic accuracy	0,2 % of full scale
Temperature influence	< 100 ppm/K of full scale
Rise time	100 ms (output auf 90 %)

Supply

Voltage range AC	50 ... 253 V AC, 50/60 Hz
Nominal voltage AC	230 V AC
Voltage range DC	20 ... 253 V DC
Nominal voltage DC	24 V DC
Power consumption AC / DC	2,2 VA / 1W

Housing

Manner of fastening	DIN rail 35mm (EN 50022)
Type of protection	IP 20
Connector cross section	max. 2,5 mm ²
Weight	~ 140 g

Environmental conditions

Ambient temperature	-10 ... 60 °C
Storage and transport	-10 ... 70 °C (no condensation)

Special Functions

Analogue Calculator

AD-MU 400 GVC

Technical specifications

EMC

Product family standard ²⁾	EN 61326-1
Emitted interference	EN 55011, CISPR11 Cl. B, Gr. 1
²⁾ During electromagnetic disturbance minor changes in output signal are possible.	

Electrical safety requirements

Product family standard	EN 61010-1
Overvoltage category	II
Pollution degree	2

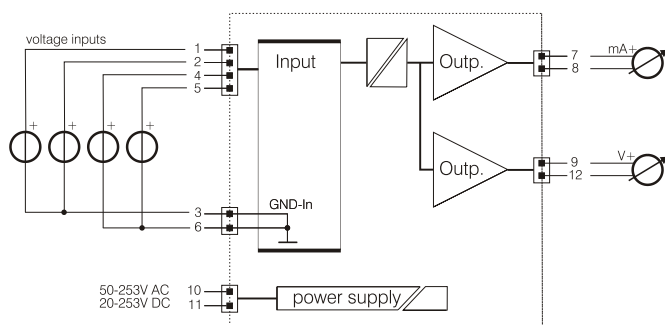
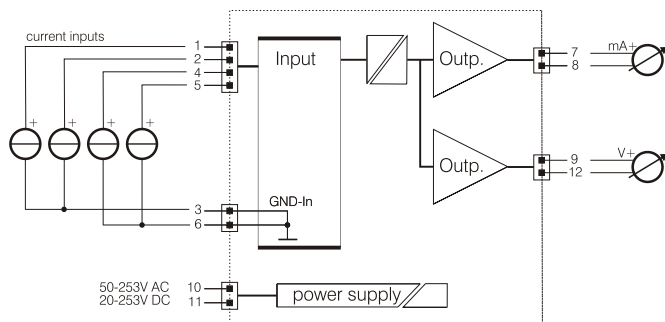
Galvanic isolation, test voltages

Input/output	2,5 kV (1 min)
Signal/auxiliary voltage	3 kV (1 min)

Protective systems

Input/output	over voltage and over current
Power supply	over voltage, over current and over temperature

Block and wiring diagram



Dimensions

