

Measuring Transducer AD-MW 200 ST

Description:

All standard signals (0-20mA / 4-20mA / 1-10V) can be highly linear converted and amplified from each other with the measuring transducers of the AD-MW 200 ST family. The measuring signal can be adapted to the current measuring situation by means of trimming potentiometers positioned on the front side. The supply voltage is separated galvanically from the measuring signal and is possible within a wide range from 20-30V AC or DC. Because of this internal galvanic separation, it is also possible to operate several measuring transducers from only one supply voltage. An economical alternative to isolation amplification when a galvanic separation of the output is not technically relevant.



Application:

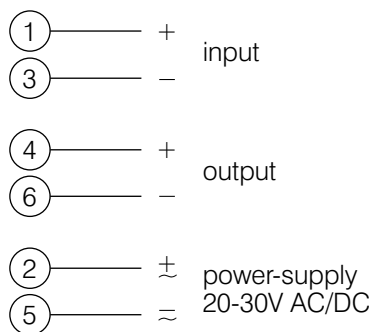
Acquisition, linear conversion and a high degree of amplification of industrial standard signals in small plug module technology with the possibility of measuring value corrections with a large voltage supply range. Economical possibility for the conversion of already galvanically separated signal sizes.

Technical data:

type:	1-channel program cartridge inc. basic terminal
power supply:	20-30V AC/DC internal galvanically separate separate from input and output
power consumption:	ca. 1 W
input:	0-20mA; 4-20mA; 0-10V (*)
input impedance:	50 Ohm with current-input 10 kOhm/V with voltage-input
output:	0-20mA; 4-20mA; 0-10V (*)
output load:	NOTE: no galvanic separation to the input max. 800 Ohm with current-input min. 500 Ohm with voltage-input
linearity error:	< 0,1 %'
influence of temperature:	< 50 ppm/K
build-up time:	ca. 2 ms (0-90%)
EMV-examinations:	IEC 801-4 (transient) class 3 IEC 801-5 (impulse voltage) class 3 VDE 0875, curve B (radio interference)
ambient temperature:	0 - 50 °C

(*) values must be defined by order

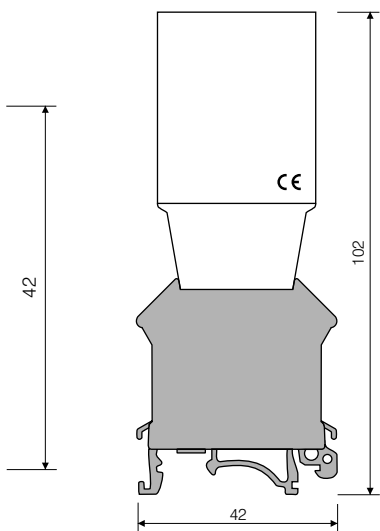
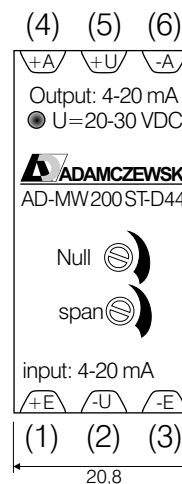
Connections and dimensions: AD-MW 200 GS



Order specification	input 0-20 mA	input 4-20 mA	input 0-10 V
output 0-20 mA	MW 200 ST-22	MW 200 ST-42	MW 200 ST-12
output 4-20 mA	MW 200 ST-24	MW 200 ST-44	MW 200 ST-14
output 0-10 V	MW 200 ST-21	MW 200 ST-41	MW 200 ST-11

weight 100 g
protection: IP 20
manner of fastening:
attachment rail: NS35/7,5

connection data:
fine-wire: 4 mm²
single-wire: 4 mm²
max. voltage: 250 V~



Printed 08/2006. We reserve the right for technical changes



ADAMCZEWSKI
Elektronische Messtechnik GmbH

Felix-Wankel-Str. 13
Tel. +49 (0)7046-875
vertrieb@ad-messtechnik.de

74374 Zaberfeld
Fax +49 (0)7046-7678
www.adamczewski.com