

Relay Card

AD-RK 6/2U EV

Description

On the relay card AD-RK 6/2U EV there are altogether 6 polar relays with 2 changers each. The coil connections and contacts are guided onto the terminal strip separately for each relay.

Each relay is equipped with an input and output relay. This minimum operating time guarantees, that the relay does not respond to temporary interference voltages. Chatter times of lined up contacts are suppressed. The de-energising delay achieves a minimum contact duration of the outputs.

The connected conditions of each relay is indicated via one luminous diode for each relay on the front plate.



Application

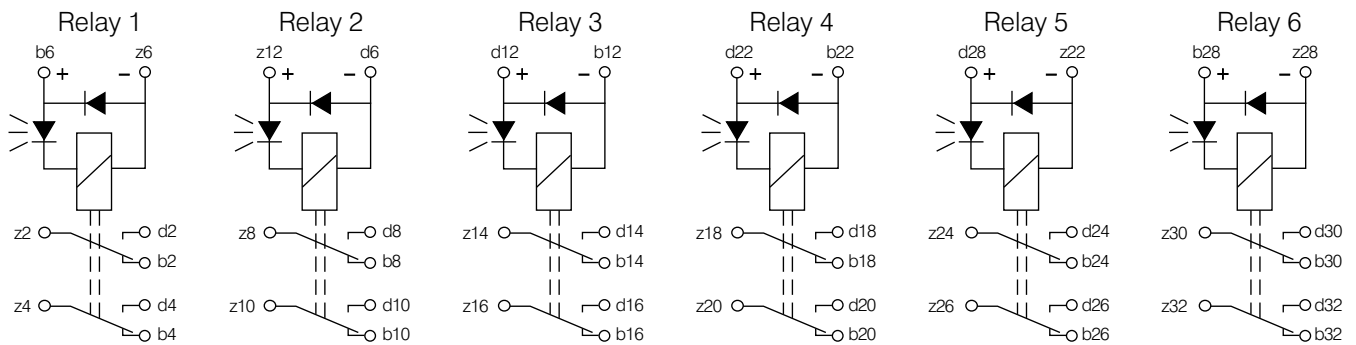
Galvanic isolation of switch outputs, extension of contact outputs, use as contact protection relays or switch amplifiers.

Specification

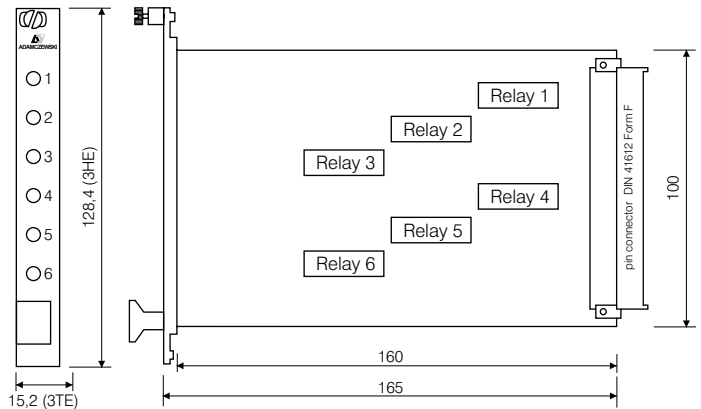
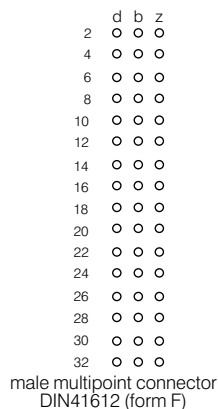
coil pick-up voltage:	18-28 V DC
coil resistance:	ca. 1,5 kOhm
number of relays:	6
output connection	each 2 changer
contact material	double line contact (Au/Ag)
contact resistance:	< 50 mOhm
max. switching voltage:	220 V DC, 250 V AC
max. breaking capacity:	60 W/100 VA
max constant / breaking current:	2 A
on-/off-time delay:	ca. 100 ms
max. life time:	mech. 1x10E8, elec. 1x10E6
connection type:	DIN 41612, 48-pole form F
wide of front panel:	3 TE
ambient temperature:	0°C to +50°C

- options: - other threshold voltage
 - part of component parts
 - without delay time

Connection and dimensions: AD-RK 6/2U EV



	+	-			
1	b6	z6	d2	z2	b2
			d4	z4	b4
2	z12	d6	d8	z8	b8
			d10	z10	b10
3	d12	b12	d14	z14	b14
			d16	z16	b16
4	d22	b22	d18	z18	b18
			d20	z20	b20
5	d28	z22	d24	z24	b24
			d26	z26	b26
6	b28	z28	d30	z30	b30
			d32	z32	b32



Printed 11/1991. We reserve the right for technical changes



ADAMCZEWSKI
Elektronische Messtechnik GmbH

Felix-Wankel-Str. 13
Tel. +49 (0)7046-875
vertrieb@ad-messtechnik.de

74374 Zaberfeld
Fax +49 (0)7046-7678
www.adamczewski.com