

Sum Data Amplifier

programmable

AD-SMV 400 GVC

Description

The sum data amplifier adds up or subtracts up to 4 singly rateable input signals and converts these to a sum proportional or difference proportional output signal.

As input signals, currents up to 20 mA or voltages up to 10 V (also bipolar) are possible. The inputs are galvanic separated from the auxiliary voltage and the outputs. The two analogue outputs current (max. 20mA) and voltage (max. 10V) can be utilised simultaneously.

The device can be configured with the optional configuration software "AD-Studio" via the interface AD-PC. However, this can also be carried out at the works according to customer data.

Application

Analogue summing/subtraction of single measurable variables such as through flows, outputs or quantities.



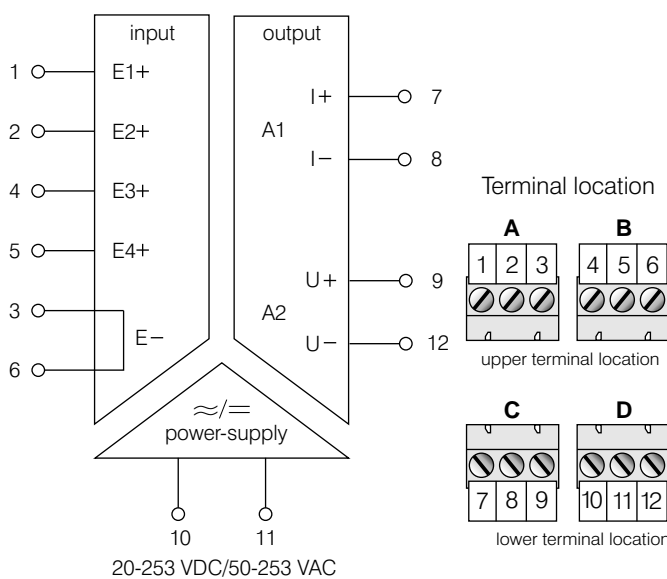
Specification

| | |
|--------------------------------|--|
| Construction | 1-channel switchboard housing 18x110x128mm (WxHxD) with detachable terminal clamp |
| Power-supply power-consumption | 20-253 VDC or 50-253 VAC max. 1 W / 1,5 VA |
| Input ⁽¹⁾ | current (max. ±20mA) or voltage (max. ±10V) max. 4 inputs |
| Input impedance | 60 Ohm with current 1M Ohm with voltage |
| Output ⁽²⁾ | current 0/4-20 mA and voltage 0-10 V |
| Output load | max. 500 Ohm with 20 mA min. 10 kOhm with 10 V |
| Linearity error | < 0,2 % of full scale |
| Ripple | < 0,1 % |
| Response time | < 100 ms |
| Ambient-temperature | -10...+60°C |
| Effect of temperature | ±100 ppm/K of full scale |
| Insulation test voltage | input/output 2,5 kV/1 Min. signal/power-supply 4 kV/1 Min. |
| Protective systems | against pulsed over-voltage, over-current and polarity reversal |
| EMC | |
| Product family standard | EN 61326 |
| Emitted interference | EN 55011, CISPR11 Cl. B |
| Electrical safety requirements | |
| Product family standard | EN 61010-1 |

⁽¹⁾ Please state signal inputs when ordering. A galvanic coupling is to be excluded.

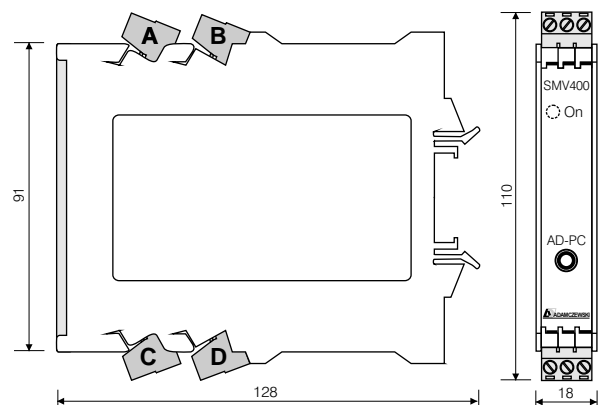
⁽²⁾ Signal outputs can be utilised together, must not have any galvanic connection.

Connections and dimensions: AD-SMV 400 GVC



weight max. 140 g
protection: IP 20
manner of fastening:
attachment rail: NS35/7,5

connection data:
fine-wire: 2,5 mm²
single-wire: 4 mm²
max. voltage: 250 V~



Printed 14.02.2013. We reserve the right for technical changes



ADAMCZEWSKI
Elektronische Messtechnik GmbH

Felix-Wankel-Str. 13
Tel. +49 (0)7046-875
vertrieb@ad-messtechnik.de

74374 Zaberfeld
Fax +49 (0)7046-7678
www.adamczewski.com