

Supply Isolation Amplifier AD-STV 2 GX

Description

The isolation amplifier AD-STV 2 GX with integrated transmitter supply, with its construction width of only 6.2 mm, serves the galvanic separation and amplification of transmitter signals (4-20 mA). The 2- or 3-wire transmitter is supplied directly through a galvanic separated supply voltage. The input signal can be selected via a DIP switch. For range change, a manual adjustment is required, the initial values and final values can be adjusted via a trimmer. Input voltage, output voltage and supply voltage are galvanic separated from each other. Due to the narrow design, a high packing density is achieved. In combination with a DIN rail connector, the wiring is considerably reduced.

Application

Supply and data acquisition of 2- or 3-wire transmitter such as pressure transmitter, temperature transmitter and others, with simultaneous amplification and galvanic separation. Can also be

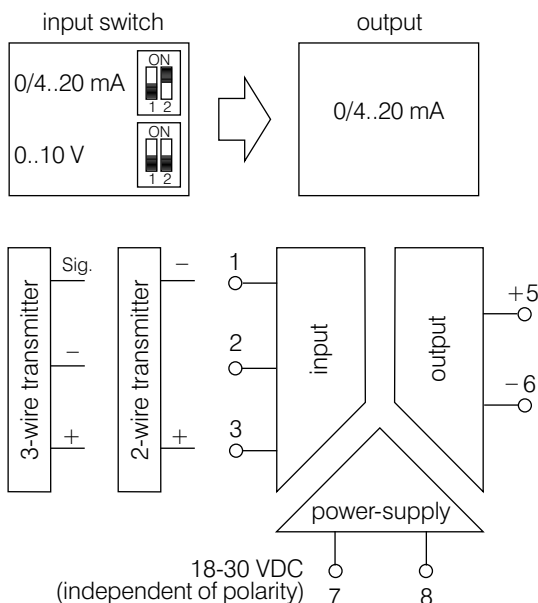


used purely as burden amplifier.

Specification

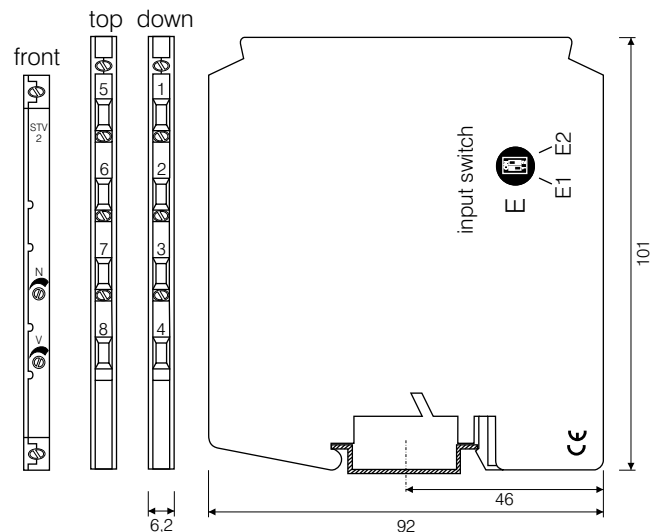
construction	1-channel switchboard housing 6,2 x 92 x 101 mm (WxHxD)
power-supply	18-30 VDC
power-consumption	max. 1,3 W (dependent upon signal)
input	2-/3-wire transmitter 0/4-20 mA, 0-10 V
transmitter supply	approx. 16V (max. 24VDC)
input impedance	50 Ohm
output	0-20 mA or 4-20mA over zero trimmer adjustable max. 350 Ohm with 20 mA
output load	max. 13V
open-circuit voltage	0,1% of full scale
accuracy	max. 0,1% of full scale
linearity error	<50 ms (10-90%)
response time	<0,1%
ripple	0-50°C
ambient-temperature	<70 ppm/K
effect of temperature	1,5kV, 50Hz (1 min. all isolating distances)
insulation test voltage	against pulsed over-voltage, over-current and polarity reversal
protective systems	
EMC	
Product family standard	EN 61326
Emitted interference	EN 55011, CISPR11 Cl. A industry
Electrical safety requirements	
Product family standard	EN 61010-1
connection technology	adapted for DIN rail connector for bridging the power-supply

Connections and dimensions: AD-STV 2 GX



weight max. 70 g
 protection: IP 20
 manner of fastening:
 attachment rail: NS35/7,5

connection data:
 fine-wire: 2,5 mm²
 single-wire: 4 mm²



Printed 05.02.2013. We reserve the right for technical changes



ADAMCZEWSKI
 Elektronische Messtechnik GmbH

Felix-Wankel-Str. 13
 Tel. +49 (0)7046-875
 vertrieb@ad-messtechnik.de

74374 Zaberfeld
 Fax +49 (0)7046-7678
 www.adamczewski.com