

# Isolation Amplifier

AD-TV 22 GVB

## Description

The buffer amplifier AD-TV 22 GVB serves the galvanic separation and amplification of DC current signals (0/4–20 mA). The output signal follows the input variable linear and is independent of the connected burden up to a limiting value.

Input, output and the supply voltage are galvanically separated from each other with high insulation. An integral electronic, high-efficiency power pack prevents high temperature rises and permits high output loads.

A high packing density and high working ergonomics are achieved in combination with pull-out connecting terminals and a construction width of 13 mm.

## Application

Burden amplification and galvanic decoupling of impressed DC current signals.



## Specific characteristics

- Supply buffer amplifier for 3-way separation of 0/4-20 mA signals (output follows input 1:1)
- 13 mm narrow housing with pull-off connecting terminals

## Technical data

### input current

measuring range	0-20 mA; 4-20 mA
input resistance	50 Ohm

### output current

output range	0-20 mA; 4-20 mA
max. burden	400 Ohm
residual ripple	<25 $\mu$ Ass

### accuracy

unit	< 0,2%
linearity error	< 0,2%
temperature influence	< 100 ppm / K
response time	< 1 ms

### supply

supply voltage	20-253 VDC or 50-253 VAC
max. power consumption	1,2 W / 2,8 VA

### housing

dimensions (WxHxD)	13x110x128mm
type of protection	IP 20
connection method	detachable terminal clamp
manner of fastening	DIN rail 35mm (EN 50022)
weight	approx. 98 gr.

### environmental conditions

ambient temperature	0-50°C
storage und transport	-10-+70°C

### EMC

Product family standard	EN 61326
Emitted interference	EN 55011, CISPR11 Cl. B

### Electrical safety requirements

Product family standard	EN 61010-1
During checking, slight signal deviations are possible	

### galvanic separation. test voltages

input/output	3,75 kV RMS (1 min.)
signal/auxiliary voltage	4 kV RMS (1 min.)

### protective systems

input/output	over voltage and over current
power supply	over voltage, over current and over temperature

*please turn over --->*

Printed 11.07.2016. We reserve the right for technical changes



**ADAMCZEWSKI**  
Elektronische Messtechnik GmbH

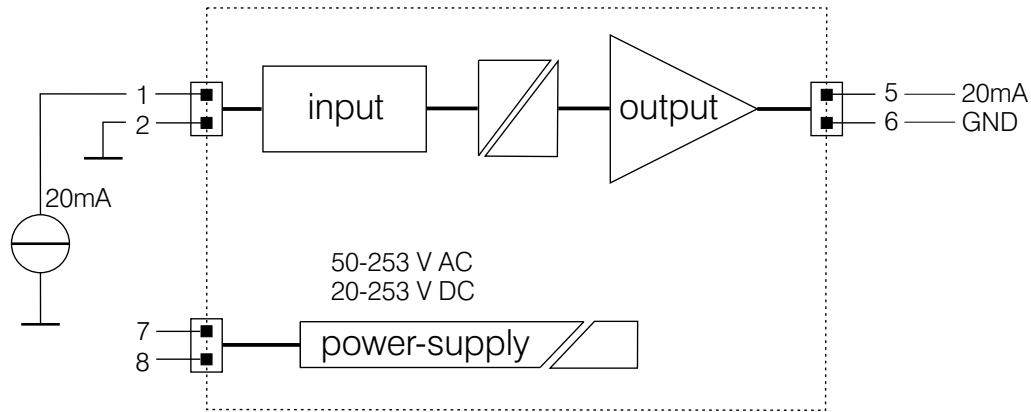
Felix-Wankel-Str. 13  
Tel. +49 (0)7046-875  
vertrieb@ad-messtechnik.de

74374 Zaberfeld  
Fax +49 (0)7046-7678  
www.adamczewski.com

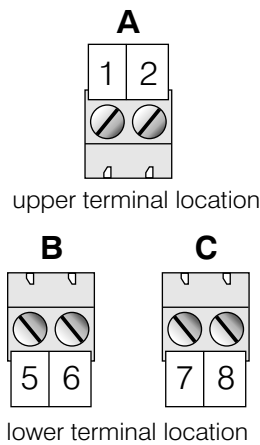
# Isolation Amplifier

AD-TV 22 GVB

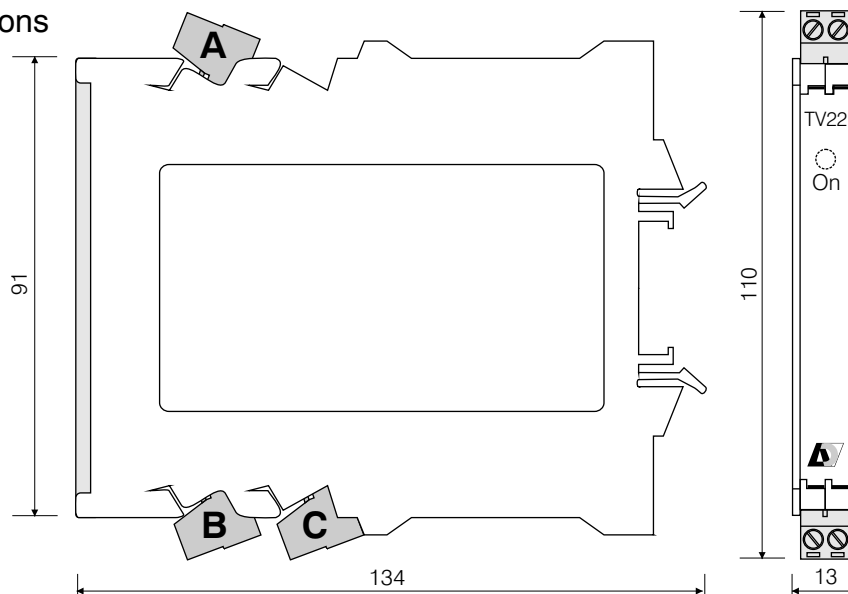
## Block and wiring diagram



## Terminal location



## Dimensions



Printed 11.07.2016. We reserve the right for technical changes



**ADAMCZEWSKI**  
Elektronische Messtechnik GmbH

Felix-Wankel-Str. 13  
Tel. +49 (0)7046-875  
vertrieb@ad-messtechnik.de

74374 Zaberfeld  
Fax +49 (0)7046-7678  
www.adamczewski.com