

# Separation Amplifier

AD-TV 24 GVB

## Description

The separation amplifier AD-TV 24 GVB serves the galvanic separation and amplification of DC-signals (0/4–20 mA). The output signal follows the input magnitude linear and is independent of the connected burden up to a limiting value.

Input, output and the supply voltage are separated galvanically from each other with high insulation. An integral, electronic power pack is designed with a voltage range of 11 to 30 VDC, also for 12V battery voltage.

With the combination of connection terminals, which can be pulled off, and a construction width of 13 mm, a high packing density and high working ergonomics are achieved.

## Application

Burden amplification and galvanic decoupling of impressed DC current signals.



## Specific characteristics

- ! Separation amplifier for a 3-way separation of 0/4-20 mA signals (output follows input 1:1)
- ! 13 mm narrow housing with connection terminals, which can be pulled off
- ! Suitable for battery voltage of 12VDC

## Specification

### Input current

measuring range	0-20 mA; 4-20 mA
input resistance	50 Ohm

### Output current

output range	0-20 mA; 4-20 mA (1:1 to input)
max. burden	300 Ohm
residual ripple	<25 $\mu$ Ass

### Accuracy

unit	< 0,2%
linearity error	< 0,2%
temperature influence	< 100 ppm / K
response time	< 1 ms

### Supply

supply voltage	11-30 VDC
power consumption	max. 0,7 W

### Housing

dimension (WxHxD)	13x110x128mm
type of protection	IP 20
connection method	detachable terminal clamp
connectors	clamping torque 0,5 Nm (EN 60999)
manner of fastening	DIN rail 35 mm (EN 50022)
weight	approx. 80 gr.

### Environmental conditions

ambient temperature	0...+50°C
storage and transport	-10...+70°C

### EMC

Product family standard	EN 61326
Emitted interference	EN 55011, CISPR11 Cl. B

### Electrical safety requirements

Product family standard	EN 61010-1
-------------------------	------------

### Galvanic separation, test voltages

input/output	3,75 kV RMS (1 min.)
signal/power-supply	4 kV RMS (1 min.)

### Protective systems

input/output	over voltage and over current
power-supply	over voltage, over temperature reverse voltage protection

*please turn over --->*

Printed 11.07.2016. We reserve the right for technical changes



**ADAMCZEWSKI**  
Elektronische Messtechnik GmbH

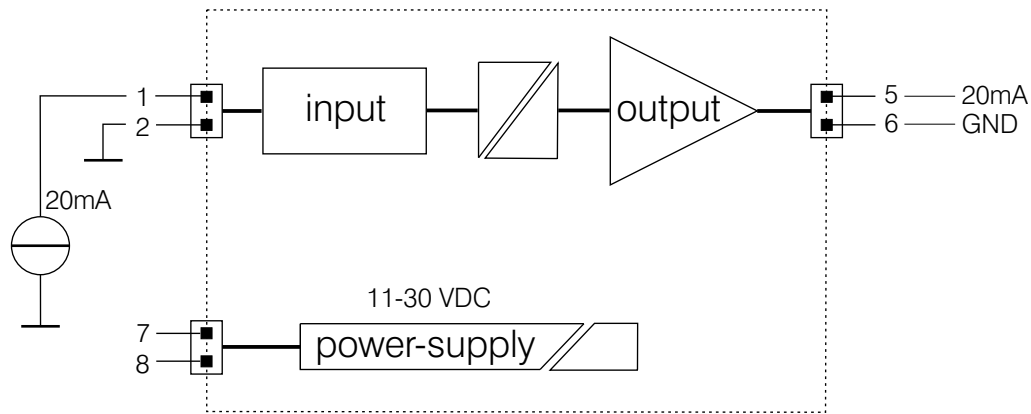
Felix-Wankel-Str. 13  
Tel. +49 (0)7046-875  
vertrieb@ad-messtechnik.de

74374 Zaberfeld  
Fax +49 (0)7046-7678  
www.adamczewski.com

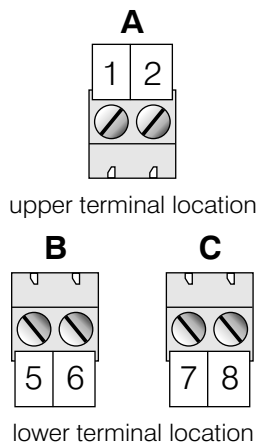
# Separation Amplifier

AD-TV 24 GVB

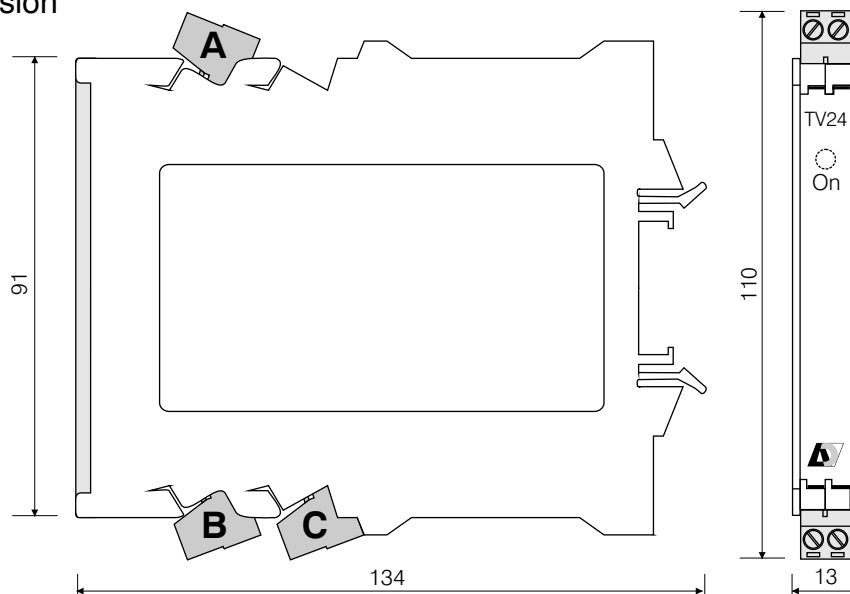
## Block and wiring diagram



## Terminal location



## Dimension



Printed 11.07.2016. We reserve the right for technical changes



**ADAMCZEWSKI**  
Elektronische Messtechnik GmbH

Felix-Wankel-Str. 13  
Tel. +49 (0)7046-875  
vertrieb@ad-messtechnik.de

74374 Zaberfeld  
Fax +49 (0)7046-7678  
www.adamczewski.com