

Isolation Amplifier

AD-TV 300 GS

Description

The isolation amplifier AD-TV 300 GS can transform and amplify each of the three in general employed industry-signals (0-20 mA, 4-20 mA, 0-10 V). Thereby are all combinations possible. A change-over is not necessary. The output current is unaffected by the connected load up to the maximum resistance.

Application

Amplification and matching of standard-industry-signals with uncomplicated transforming to independently selectable output-signal.



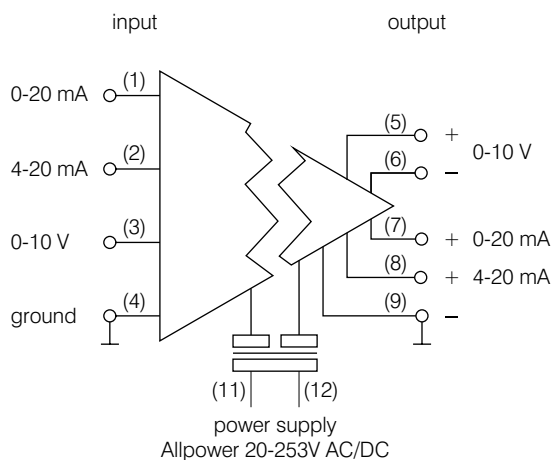
Specialities

- each norm- signal freely selectable for input and output
- separation and amplification galvanically
- no mechanical multiple-way switch
- no addition scaling necessary

Technical Data

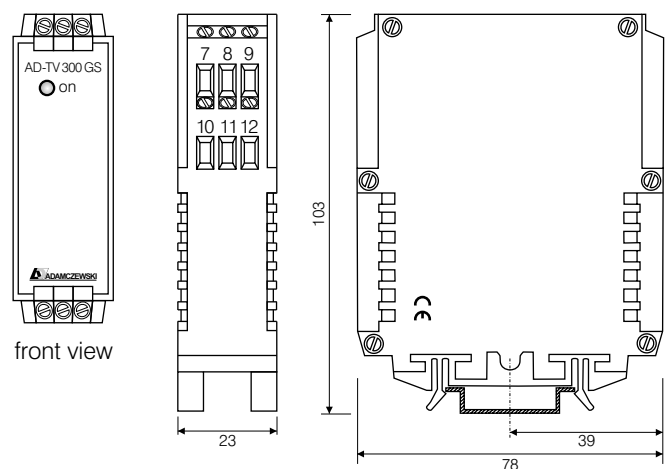
Power supply:	allpower 20-253 VDC and AC internal galvanical separated
Power consumption:	approx. 4 VA or 2 W
Input:	0-20 mA, 4-20 mA, 0-10 V freely selectable over clamp current: < 50 Ohm,
Input-resistance:	voltage: > 750 kOhm
Output:	0-20 mA, 4-20 mA, 0-10 V freely selectable over clamp
Output-load:	current: max. 500 Ohm voltage: min. 1 kOhm
Reaction time:	input/output 10-90%, approx. 50ms
Precision:	better 0,5%
Effect of temperature:	< 50 ppm/°K
Test voltage:	signal: 1,5 kV RMS signal/supply: 4 kV RMS
Ambient temperature:	0 to 50 C
Protective system:	signal lines against transient over-voltage Power-pack against over-current, over-voltage and over-temperature.

Connections and dimensions: AD-TV 300 GS



weight max. 200 g
protection: IP 20
manner of fastening:
attachment rail: NS35/7,5

connection data:
fine-wire: 2,5 mm²
single-wire: 4 mm²
max. voltage: 250 V~



Printed 07/2013. We reserve the right for technical changes



ADAMCZEWSKI
Elektronische Messtechnik GmbH

Felix-Wankel-Str. 13
Tel. +49 (0)7046-875
vertrieb@ad-messtechnik.de

74374 Zaberfeld
Fax +49 (0)7046-7678
www.adamczewski.com