

# Multiplier Separation Amplifier AD-TV 454 GVF

## Description

The multiplier separation amplifier AD-TV 454 GVF serves the galvanic separation, amplification and conversion or adaption of analogue measuring signals with simultaneous multiplication of the input signal. The compact housing contains 4 fully independent output channels. All output channels are galvanically separated from each other, from the input and from the supply voltage. The types of signal can be freely selected at the input as well as at the individual output channels. Spindle trimmer (zero N1..4 / full V1..4) are located at the front for direct adaption. The multiplier separation amplifier is also available in 2-channel version (AD-TV 452 GVC).

## Application

Galvanic separation, adaption, amplification and conversion of an analogue measuring signal and additional multiplication in 4 independent output channels.

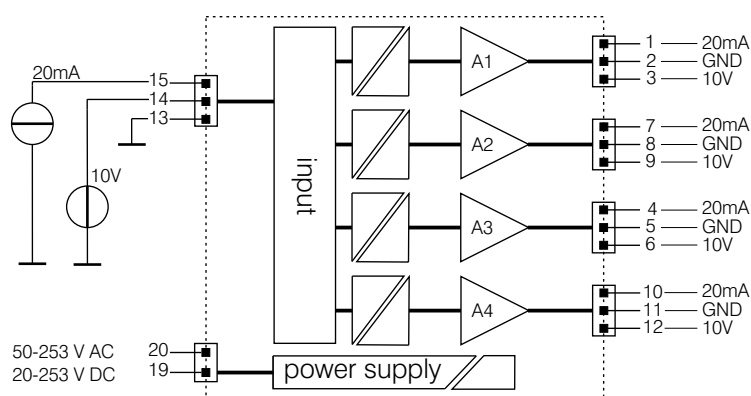


## Specification

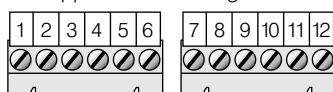
construction	1-channel switchboard housing 33x110x128mm (WxHxD) with detachable terminal clamp
power supply	20–253 VDC and 50–253 VAC (50–60Hz)
power consumption	max. 4 W, 5,06 VA
input:	0–20 mA, 4–20 mA, 0–10 V, 2–10 V adjustable (others on request)
input impedance	50 Ohm with current 100 kOhm with voltage
output:	0–20 mA, 4–20 mA, 0–10 V, 2–10 V each channel adjustable
output load (each channel)	max. 400 Ohm with 20 mA min. 10 kOhm with 10 V
linearity error	< 0,2 % of end value
effect of temperature	< 100 ppm / K
residual ripple	< 50 mVSS
insulation test voltage	input/output: 2,5 kV RMS (1min) channel/channel: 2,5 kV RMS (1min) signal/power supply: 4 kV RMS (1min)
protective systems	input/output: against over-voltage, and over-current power supply: against over-voltage, over-current and over-temperature
CE-conformity <sup>(*)</sup>	DIN EN61326; DIN EN55011(class B)
ambient temperature	0 .. 50 °C

<sup>(\*)</sup> During checking, slight signal deviations are possible

## Connections and dimensions: AD-TV 454 GVF



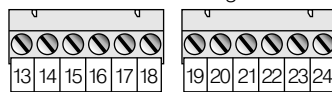
upper terminal designation



A

B

lower terminal designation

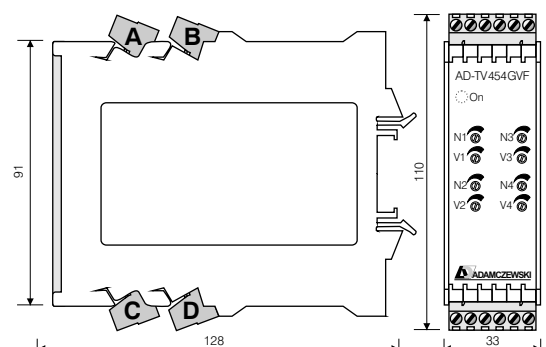


C

D

weight: ca. 215 g  
protection: IP 20  
manner of fastening:  
DIN rail: NS35/7,5

connection data:  
fine-wire: 2,5 mm<sup>2</sup>  
single-wire: 4,0 mm<sup>2</sup>  
max. voltage: 250 V~



Printed 05/2009. We reserve the right for technical changes



**ADAMCZEWSKI**  
Elektronische Messtechnik GmbH

Felix-Wankel-Str. 13  
Tel. +49 (0)7046-875  
vertrieb@ad-messtechnik.de

74374 Zaberfeld  
Fax +49 (0)7046-7678  
www.adamczewski.com