

Description

The isolation amplified AD-TV 561 GS converts sinus wave alternating voltages to analogue, optionally according to the effective values, output signals in up to three independent channels. With the measuring principle of real effective value measuring, distorted alternating signals can also be accurately captured. Input, output, the supply voltage and the channels amongst each other are galvanically isolated from each other. The output signals are independent of the connected load up to a maximum value.

Application

Capturing, galvanic isolation, conversion and amplification of alternating voltages in analogue signals. Optional effective value conversion, adaptation and amplification of output signals of voltage converters.



Business data

Order number AD-TV 561 GS

Technical specifications

Input

Measuring range	0 ... 30 V AC / 0 ... 300 V AC ¹⁾
Input frequency	50 ... 60 Hz, sinus
Input resistance	1 kOhm / V

Output

Max. output range	0/4 ... 20 mA ¹⁾
Max. burden	500 Ohm
Max. output range	0 .. 10 V ¹⁾
Min. burden	1 kOhm

Transmission behaviour

Linearity error	0,5 % of full scale
Rise time (90%)	700 ms
Temperature influence	+/- 100 ppm/K

Supply

Supply voltage	20 ... 253 V DC / 50 ... 253 V AC
Max. power consumption	1,7 W / 3,5 VA

Housing

Manner of fastening	DIN rail 35mm (EN 50022)
Type of protection	IP 20
Connector cross section	max. 2,5 mm ²
Bolting torque screw terminals	0,5 Nm
Weight	ca. 110 g

Environmental conditions

Ambient temperature	0 ... 50 °C
Storage and transport	-10 ... 60 °C

EMC

Product family standard	EN 61326
Emitted interference	EN 55011, CISPR11 Cl. B

Electrical safety requirements

Product family standard	EN 61010-1
Overvoltage category	II
Pollution degree	2
Safety measurement	EN 61010-2-030
Measurement category	CAT III

Galvanic isolation, test voltages

Input/output	4 kV (1 min)
Input/power-supply	4 kV (1 min)
Output/power-supply	3 kV (1 min)

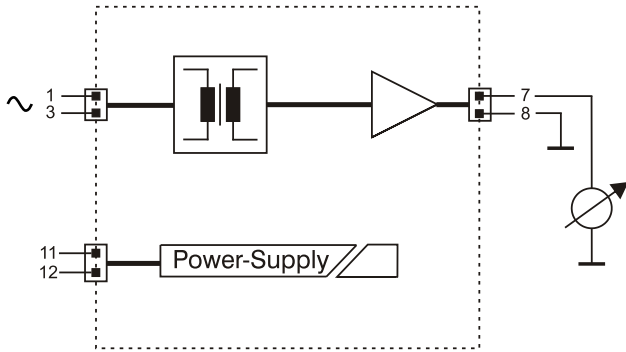
¹⁾Values must be advised by order

²⁾During electromagnetic disturbance minor changes in output signal are possible.

AC Isolation Amplifier

AD-TV 561 GS

Block and wiring diagram



Dimensions

