

Passive Separation Transducer

AD-TW 21 GVD
AD-TW 25 GVD

Description

The passive AC current separation transducer serve the conversion of AC currents of magnitudes 0-1 A AC or 0-5 A AC in an impressed DC current of 0-20 mA. The galvanically separated output signal is, up to a maximum value, independent of the connected burden. The separation transducer does not require an auxiliary energy, the necessary energy is gained from the measuring signal.

Application

Remote transmission of current transducer signals, galvanic separation and coupling to systems with 0-20 mA inputs.

Specific characteristics

- For 1 AAC or 5 AAC current transducer signals
- Galvanically separated output 0-20 mA
- No auxiliary energy required
- Connection terminals can be pulled off



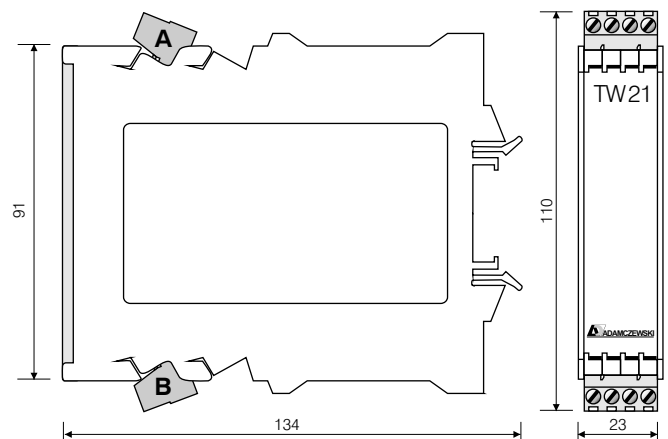
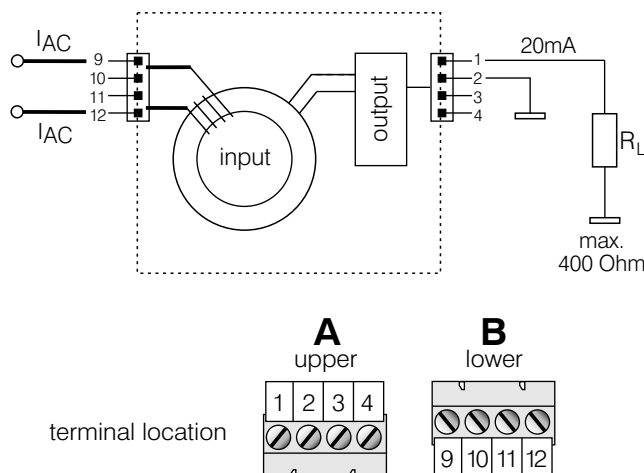
Specification

input current	AD-TW 21 GVD	0-1 A (50Hz sinus)
	AD-TW 25 GVD	0-5 A (50Hz sinus)
output current		
output range		0-20 mA
max. burden		400 Ohm
residual ripple		< 80 μ Ass
accuracy		
linearity error		\pm 0,3%
burden influence		-0,12% / 100 Ohm
temperature influence		-0,03% / 10°C
response time		< 0,5s (0-90 %)
supply	passive, power-supply is needless	
	consumption of auxiliaries over input signal	(ca. 1,6 VA)
housing		
dimensions (WxHxD)		18x110x128mm
type of protection		IP 20
connection method		detachable terminal clamp
manner of fastening		DIN rail 35mm (EN 50022)
weight		approx. 285 gr.
environmental conditions		
ambient temperature		0-50°C
EMC		
Product family standard		EN 61326
Emitted interference		EN 55011, CISPR11 Cl. B
Electrical safety requirements		
Product family standard		EN 61010-1
galvanic separation. test voltages		
input/output		2,0 kV RMS (1 min.)
protective systems		
input/output		over voltage and over current

Connections and dimensions:
AD-TW 21 GVD (with input 1A)
AD-TW 25 GVD (with input 5A)

weight: ca. 285 g
protection: IP 20
manner of fastening:
DIN rail 35mm (EN50022)

connection data:
fine-wire: 2,5 mm²
single-wire: 4,0 mm²



Printed 11.07.2016. We reserve the right for technical changes



ADAMCZEWSKI
Elektronische Messtechnik GmbH

Felix-Wankel-Str. 13
Tel. +49 (0)7046-875
vertrieb@ad-messtechnik.de

74374 Zaberfeld
Fax +49 (0)7046-7678
www.adamczewski.com