

# Frequency transducer

Optionally: with adjustable attenuator

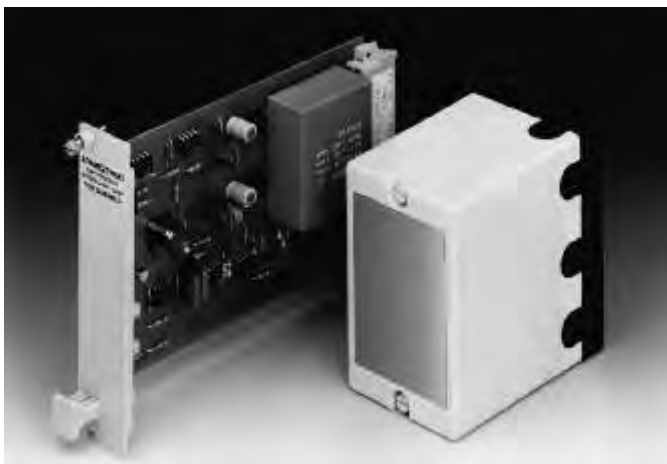
AD-FM 200 GB  
AD-FM 200 EV

## Description:

The frequency measuring converter AD-FM 200 GB and AD-FM 200 EV supplies an initiator or a contact and transforms its impulse sequence to a proportional impressed analogue signal. The output signal is independent from the connected load up to a maximum value. The measuring converter is adapted to the transmitter type used at the factory and it is calibrated to the application with the highest precision.

## Application

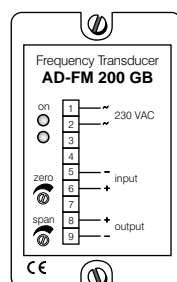
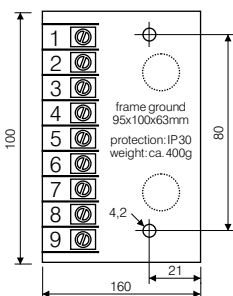
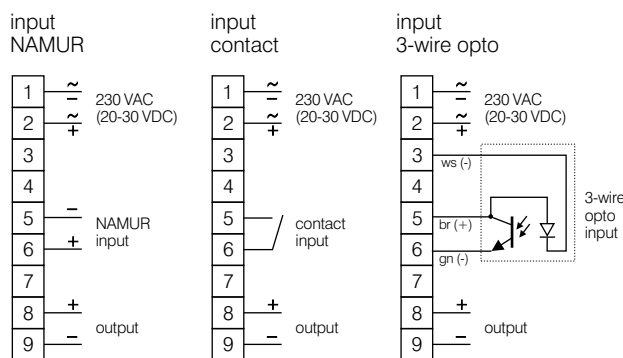
The main area of application is the through-flow measuring at water meters, further applications are energy consumption measuring etc. All customary transmitter types can be used: initiator according to NAMUR (acc. to DIN-EN 60947-5-6), 3-lead opto-transmitter, reed contacts, transistor outputs and other initiators.



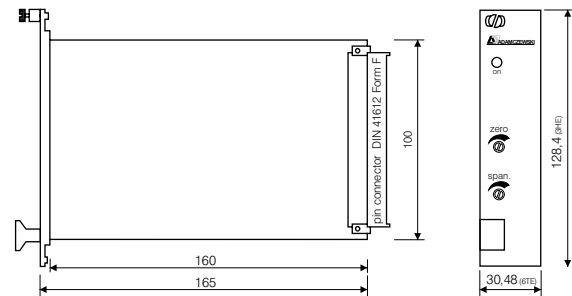
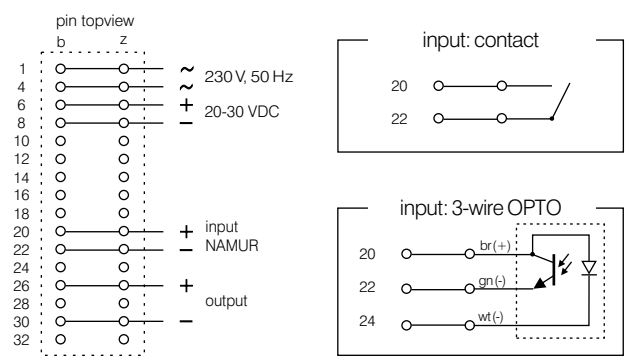
## Technical data:

Construction type	surface housing AD-FM 200 GB euro-board format AD-FM 200
Power-supply	230 VAC (50-60Hz) or 20-30 VDC internal galvanic separated
Power consumption	approx. 2,5 VA resp. 4 W
Input (*)	contact or initiator from NAMUR or transmitter types from options
Input frequency (*)	0-0,1 Hz up to max. 0-100 Hz
Output (*)	current or voltage, impressed e.g. 0-20mA, 4-20mA or 0-10V
Optionally available	- adjustable zero and full-scale - adjustable switching point - adjustable attenuator (up to 100Hz)
Output burden	current: max. 800 Ohm voltage: min. 500 Ohm
Linearity	> 5%
Insulation test voltage	signal/power supply AC: 4 kV RMS signal/power supply DC: 2 kV RMS input/output (only EV): 1,5 kV RMS
Protective system	input/output against over-voltage, over-current, against polarity reversal power supply against over-voltage, over current and over-temperature
EMC-compatible	EN 50081-2, EN 50082-2, CE conformity
Ambient temperature	0 - 50 °C
(*) to specify by order	

## Connections and dimensions: AD-FM 200 GB



## Connections and dimensions: AD-FM 200 EV



Printed 04/2008. We reserve the right for technical changes



**ADAMCZEWSKI**  
Elektronische Messtechnik GmbH

Felix-Wankel-Str. 13  
Tel. +49 (0)7046-875  
vertrieb@ad-messtechnik.de

74374 Zaberfeld  
Fax +49 (0)7046-7678  
www.adamczewski.com