

# Drop-out Indicator

AD-SAM 201 ST  
AD-SAM 201 MO

## Description

The drop-out indicator AD-SAM 201 ST is used for monitoring life-zero-signal (4-20mA). It requires a auxiliary voltage of 20-30VDC. If a connected current signal falls below the size of 4mA, a message appears at the open collector output (contact is being opened, LED is off). The message can mean a total failure of the source, a measuring error or a wire break. The drop-out indicator is also available as a print module (AD-SAM 201 MO) for user specific application or for equipping multi channel euro-board format.

## Application

Monitoring of important process engineering measuring signals (life-zero) for failure or wire break.



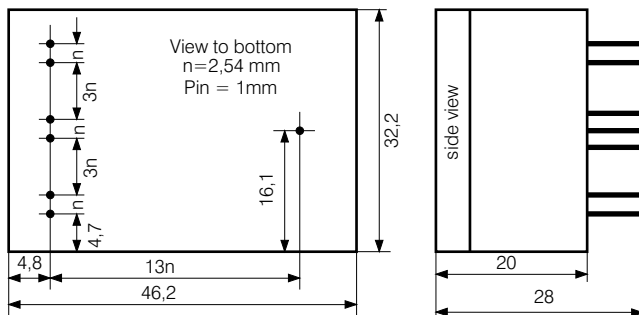
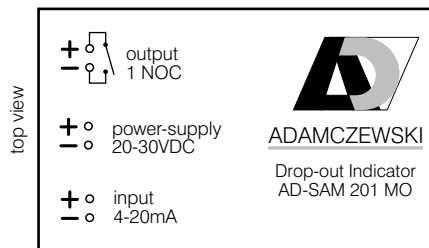
## Special characteristics

- user friendly plug-in design
- little power required
- also as print module for specific application
- compatible with passive drop-out indicator AD-SAM 201

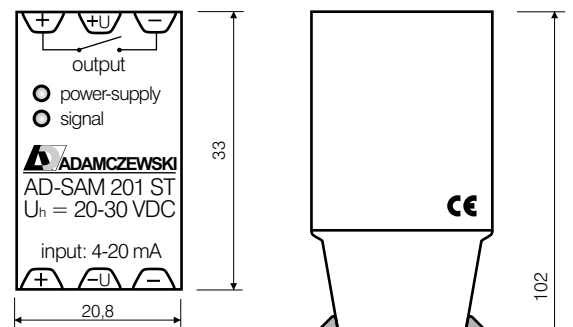
## Specification

Power supply:	20-30 VDC
Power consumption:	< 0,6 W
Input:	4-20mA
Input voltage drop:	approx. 0,7 V
Output:	relay (normally-open contact)
Output-load:	max. 250 VAC. 2 A. 100VA
Function of the output:	contact is being opened, when the signal falls below the size of 4 mA
Current limit contact:	input: 3,9 mA output: 3,3 mA
Reproducibility:	better 1%
Reaction time:	approx. 10 ms
Protection:	input against confusing the poles and over voltage output against over voltage
Ambient temperature:	0 - 50°C

## Connections and dimensions: AD-SAM 101 MO



## Connections and dimensions: AD-SAM 101 ST



Printed 01/2009. We reserve the right for technical changes



**ADAMCZEWSKI**  
Elektronische Messtechnik GmbH

Felix-Wankel-Str. 13  
Tel. +49 (0)7046-875  
vertrieb@ad-messtechnik.de

74374 Zaberfeld  
Fax +49 (0)7046-7678  
www.adamczewski.com