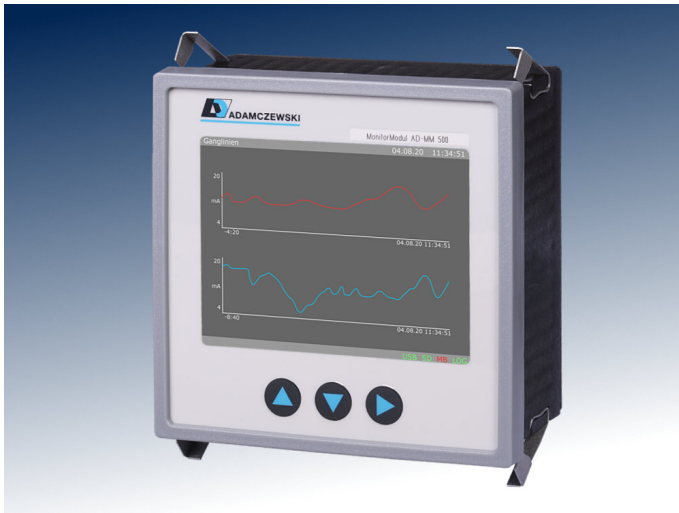


Description

The AD-MM 500 FE monitor module is a display device, control unit and data logger for front panel installation. The AD-MM 500 FE always works as a Modbus master. It collects the values that are to be displayed or logged cyclically from one or more Modbus slaves. The values can be any data such as measured values, output values, digital inputs or outputs or various counters for energy or quantities. The display is done by freely configurable display elements such as numeric display, bar graphs, time diagrams, drag pointers, LEDs, etc. In addition to the display function, the AD-MM 500 FE can also configure connected devices from ADAMCZEWSKI. To do this, you can navigate in the menu of the connected device and configure the desired parameter. The logged data is saved on an internal micro SD card. They can be picked up at any time with a USB stick.

Application

Display measurements in a graphic display. Scroll through multiple views. Configuration of connected devices via their menu. Log the data for later evaluation.



Specific characteristics

- Connection in the master operation of up to 32 slaves.
- Scroll up to 10 different user-configurable displays.
- Display of up to 4 values per display.
- Freely configurable labeling of the displays and values.
- Convenient configuration of the displays via PC software AD-Studio.
- Connection of several AD-MM 400 on a bus in slave mode.

Business data

Order number AD-MM 500 FE

Technical specifications

Supply

Supply voltage	20 ... 253 V DC
Supply voltage	50 ... 253 V AC
Max. power consumption	2,0W / 4,0VA

Housing

Dimensions (WxHxD)	96x96x63 mm
Front panel cut out	92x92 mm
Protection class panel	IP 54
Protection class connection	IP 20
Connection method	detachable terminal clamp
Manner of fastening	Panel-mount-case
Weight	350 g

Environmental conditions

Ambient temperature	0 ... 50 °C
Storage and transport	-10 ... 70 °C (no condensation)
Pollution degree	2

EMC

Product family standard	EN 61326-1
Emitted interference	EN 55011, CISPR11 Cl. B

Electrical safety requirements

Product family standard	EN 61010-1
-------------------------	------------

RS485-interface

Connection	3-pin socket 3.81mm grid
Standard	RS-485
Function	Modbus-Master
Protocol	Modbus-RTU
Max. attendance	32
Max. length of bus	100m - twisted, shielded cable
Bus termination	120 Ohm (both sites of the bus)

Configuration interface

Connection	3.5mm jack socket
Standard	UART, proprietary
Function	configuration

Network interface

Connection	RJ45 socket
Standard	Ethernet
Function	Reserve for future expansions

USB interface

Connection	Type A socket for USB stick
Standard	USB 1.0, 2.0
Function	Data transfer

Display

Type	3,5" TFT
Resolution	320x240 Pixel

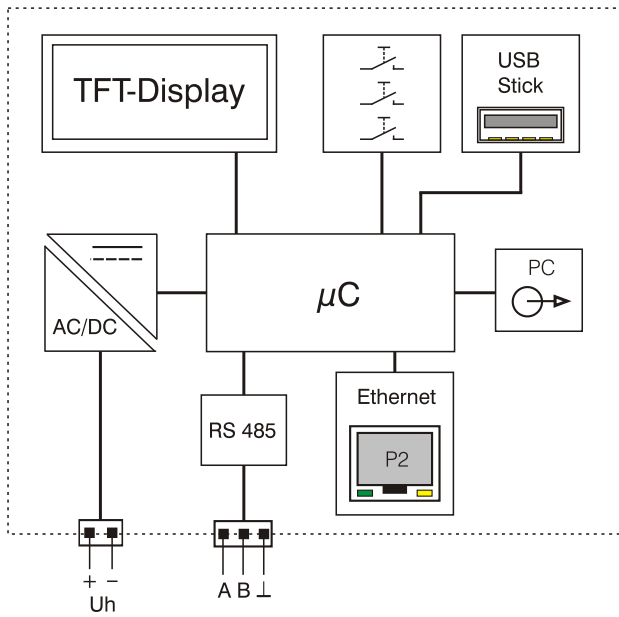
Operation

Type	3 short-stroke keys
------	---------------------

Data logger

Internal memory size	2 GB (andere auf Anfrage)
Internal storage medium	µSD, single level cell
Sampling interval	1s ... ~18h
Max. channels	32
Data format	*.csv

Block and wiring diagram



Dimensions

