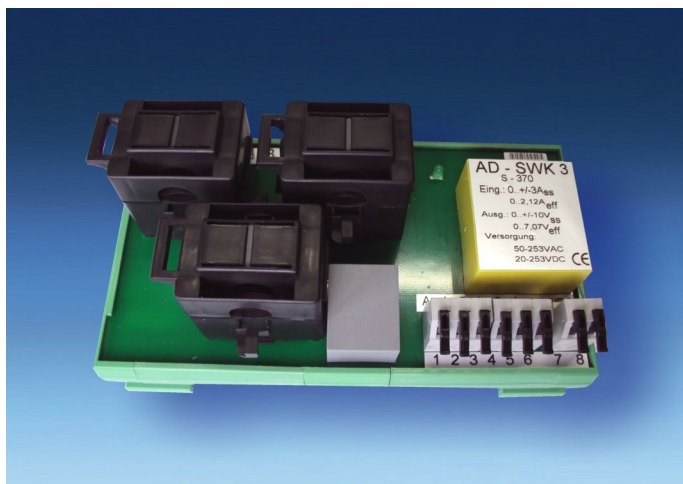


### Description

With the current converter AD-SWK 3 WG up to three independent alternating current magnitudes can be converted to three alternating voltage of  $\pm 0-10$  V. The frequency-response curve at the output is equivalent to input. Inputs, outputs and supply voltage are galvanically separated from each other with high insulation. The outputs refer to a common mass. An integral electronic wide range power pack with high efficiency prevents strong increase in heat.

### Application

For conversion of up to three alternating currents to three alternating voltage



### Business data

**Order number**  
AD-SWK 3 WG

### Information

#### Downloads

### Technical specifications

#### Input

Measuring range	0 ... 3 A ACs (0 ... 2,12 A ACeff)
Maximum measuring range	0 ... 10 A ACs (0 ... 7,07 A ACeff)
Max. measurable harmonic	80 (4 kHz)
Ct size (inside diameter)	<8 mm
Permanent overload	120 % of the rated value
Temporary overload (1s)	rated value x 20

#### Output

Output range	0 ... 10 V ACs (0 ... 7,07 V ACeff)
Min. burden	10 kOhm

#### Accuracy

Unit	<0,5 %
Temperature influence	<100 ppm / K
Phase backfill Input/Output	output 3,6° lagging

#### Supply

Supply voltage AC	50 ... 253 V AC
Nominal voltage AC	230 V AC
Supply voltage DC	20 ... 253 V DC
Nominal voltage DC	24 V DC
Power consumption AC / DC	1,8 VA / 0,8 W

#### Housing

Connection method	spring force terminal
Connection method input	split core current transformer
Manner of fastening	35 mm DIN rail 35mm
Dimensions (WxHxD)	138x80x64(88)mm
Weight	280 g

#### Environmental conditions

Ambient temperature	-10 ... 50 °C
Storage and transport	-10 ... 70 °C (no condensation)

#### EMC

Product family standard	EN 61326-1
Emitted interference	EN 55011, CISPR11 Cl. B, Gr. 1
During checking, slight signal deviations are possible	

#### Electrical safety requirements

Product family standard	EN 61010-1
Overvoltage category	II
Pollution degree	2

#### Galvanic isolation, test voltages

Input/output	2,2 kV AC + over voltage cable
Signal/auxiliary voltage	3 kV RMS

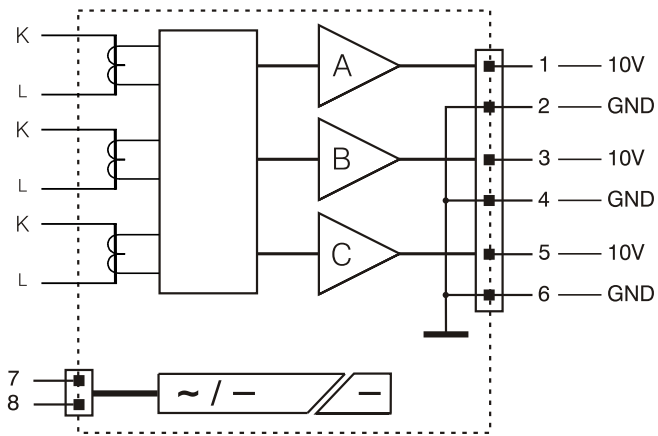
#### Protective systems

Input/output	over voltage and over current
Power supply	over voltage, over current and over temperature

# AC Isolation Amplifier

AD-SWK 3 WG

## Block and wiring diagram



## Dimensions

